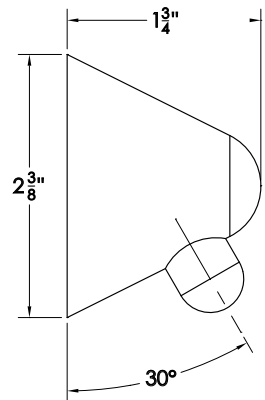
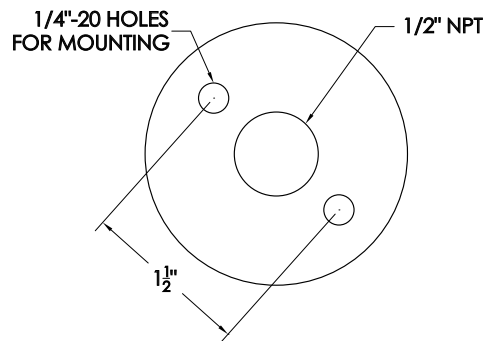
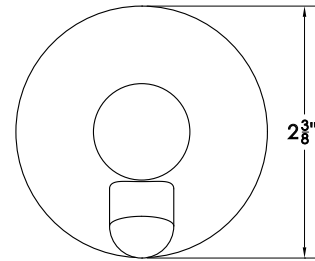


## 30° Chrome Showerhead



Part No. 100036 : 30° : SH Only

### ► Description

I-CON's 30° Chrome Showerhead, provides long lasting durability against abuse and supports a range of spray patterns, with a 5° minimum and a 70° maximum. The spray pattern is field adjustable using a 1/8" Allen Wrench.


### ► Specifications

- Solid Brass Construction
- 1/2" NPT Threaded Female Inlet
- Ligature-Resistant

### ► Accessories

See Accessories Section of the I-CON catalog or contact our Customer Service Team for details.



 **WARNING:** Cancer and Reproductive Harm - [www.P65Warnings.ca.gov](http://www.P65Warnings.ca.gov)

This space is for Architect/Engineer approval

The information contained in this document is subject to change without notice.