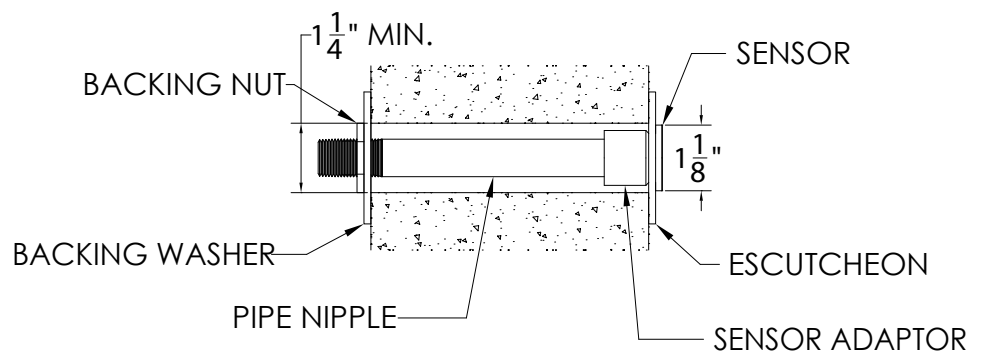
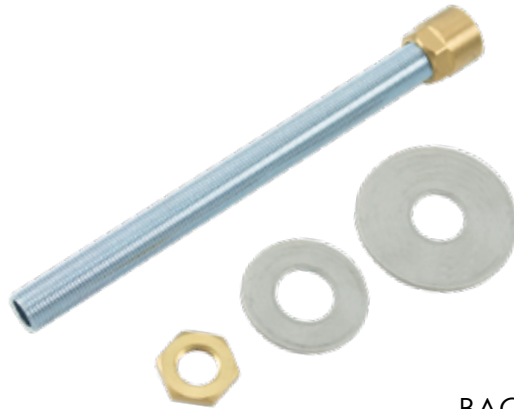


Core Drill Assembly



Part No. 100089

► **Description**

I-CON's Core Drill Assembly is used when there is no access to the rear of the fixture from the chase area or when controlling a water closet fixture set by itself. When retrofitting older style lavatory valves, the unit can be used to secure the fixture to the wall when the older lavatory valve and push buttons are removed.

► **Pipe Nipple Length** (choose one)

- 1" 2" 4" 5" 6" 8"
 9" 10" 12"

► **Escutcheon Diameter** (choose one)

- 2-3/8" 2-7/8" 4" 6"

► **Backing Support** (choose one)


- 2" Backing Washer
 7-3/4" Wide Backing Bar

► **Accessories**

See Accessories Section of the I-CON catalog or contact our Customer Service Team for details.

Specifications

- Stainless Steel Housing
- Part number will vary according to application and wall thicknesses

 **WARNING:** Cancer and Reproductive Harm - www.P65Warnings.ca.gov

This space is for Architect/Engineer approval



The information contained in this document is subject to change without notice.