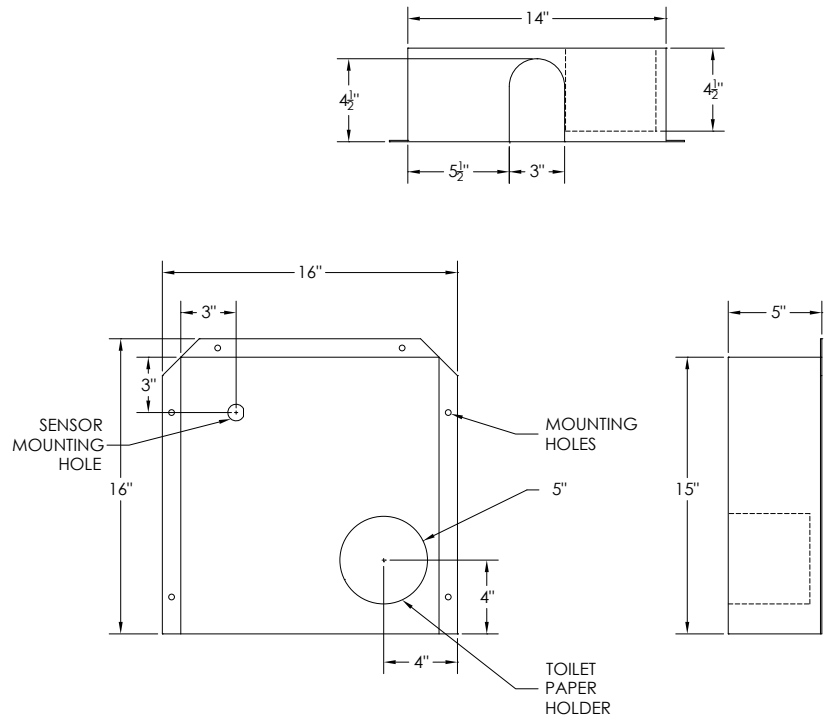


Toilet Flush Valve Enclosure



Part No. 100091 : w/ TPH : Ext MF

► **Description**

This flush valve cover is for exposed flush valve applications and provides protection for an I-CON flush valve and related hardware. The enclosure includes a front facing mounting aperture for an I-CON TruTOUCH® Sensor assembly and toilet paper holder. The design allows for the mounting of certain I-CON NEXUS® Controllers inside the enclosure.


► **Options** (choose one)

- Flat Top
- Sloped Top

► **Accessories**

See Accessories Section of the I-CON catalog or contact our Customer Service Team for details.



 **WARNING:** Cancer and Reproductive Harm - www.P65Warnings.ca.gov

This space is for Architect/Engineer approval

The information contained in this document is subject to change without notice.