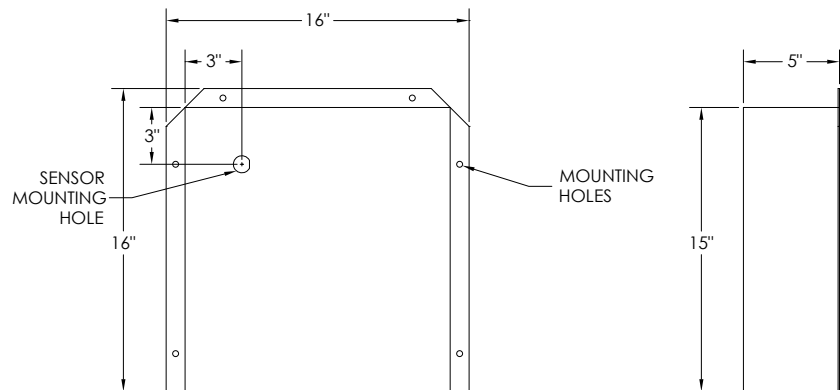
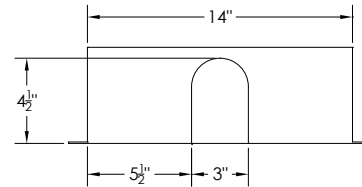


## Urinal Flush Valve Enclosure



Part No. 100091 : w/o TPH : Ext MF

### ► Description

This flush valve cover is for exposed flush valve applications and provides protection for an I-CON flush valve and related hardware. The enclosure includes a front facing mounting aperture for an I-CON TruTOUCH® Sensor assembly. The design allows for the mounting of certain I-CON NEXUS® Controllers inside the enclosure.


### Specifications

- Stainless Steel Construction
- Front Facing Mounting Aperture

### ► Accessories

See Accessories Section of the I-CON catalog or contact our Customer Service Team for details.



 **WARNING:** Cancer and Reproductive Harm - [www.P65Warnings.ca.gov](http://www.P65Warnings.ca.gov)

This space is for Architect/Engineer approval

The information contained in this document is subject to change without notice.