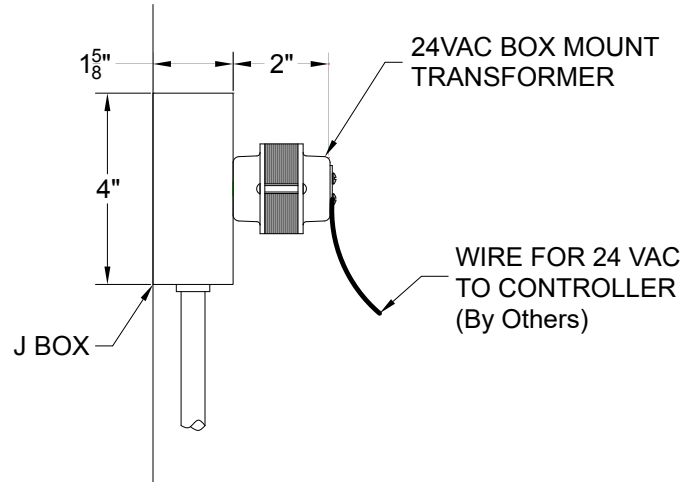
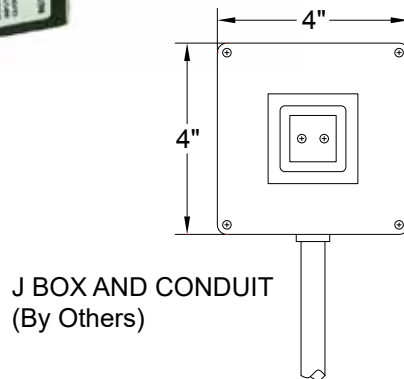


Box Mount Model 24 Volt Transformer



Part No. 100111

► **Description**

The Box Mount Transformer is designed to be hardwired and mounted in a standard 4" x 4" electrical junction Box.

► **Amperage**

1.00 Amp (40 VA) for use with two (2) 4 I/O controllers or one (1) 8 I/O controller


Specifications

- Converts 120VAC, 60 Hz to 24 VAC, 60 Hz
- Unit is Class 2, internally fused
- Mounts in any 1/2" knock out located on the side of a typical electrical box
- UL listed, UL file number: E32963
- Operating temperature range from -40F to 230F

► **Accessories**

For additional accessories, see the Accessories Section of the I-CON catalog or contact our Customer Service Team for details.



 **WARNING:** Cancer and Reproductive Harm - www.P65Warnings.ca.gov

This space is for Architect/Engineer approval

The information contained in this document is subject to change without notice.