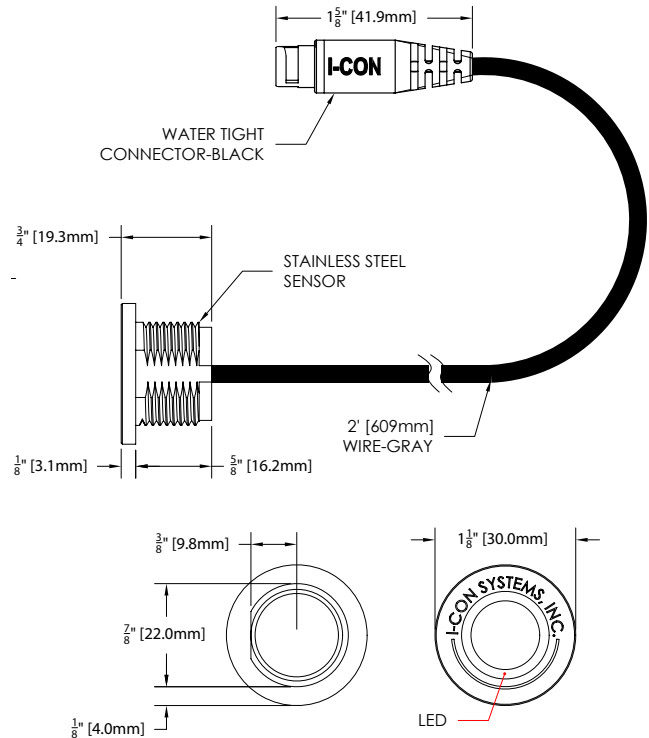


## TruTouch® Model Force Activated LED Touch Sensor



Part No. 100146

### ► **Description**

Fully Electronic Force Activated LED Sensor with no moving parts. Sensor includes a two foot lead with watertight connector. Extension with RJ connector is required and is available in a variety of lengths.

LED illumination indicators:

- Solid\* Green indicates port is in run mode
- Rapid flashing Red indicates Anti-Water Hammer feature
- Solid\* Red indicates port is in lockout mode
- Slow flashing Red indicates maintenance mode

\* Flashing for battery operated controllers

### ► **Cable Length** (must choose one)

- 6' Lead Cable w/RJ Connector - 100141 : 6'
- 15' Lead Cable w/RJ Connector - 100141 : 15'
- 25' Lead Cable w/RJ Connector - 100141 : 25'
- 35' Lead Cable w/RJ Connector - 100141 : 35'
- 60' Lead Cable w/RJ Connector - 100141 : 60'


### ► **Accessories**

See Accessories Section of the I-CON catalog or contact our Customer Service Team for details.



### **Specifications**

- Specifically designed for penal use
- Rugged, polished stainless steel housing with no internal moving parts makes the unit virtually vandal-proof
- Proven reliability with testing of over 1 million activations
- Unique design allows activation by finger pressure without compromising its sealing integrity
- Proprietary 5V DC design allowing for no power consumption until touched by operator.
- Ability to be remotely located up to three hundred (300) feet from the associated controller
- Telephone type connectors for quick and easy connection to controller
- Meets all ADA requirements
- IP 68 Protection
- Operating temperature range from -40F to 257F

 **WARNING:** Cancer and Reproductive Harm - [www.P65Warnings.ca.gov](http://www.P65Warnings.ca.gov)

This space is for Architect/Engineer approval

The information contained in this document is subject to change without notice.