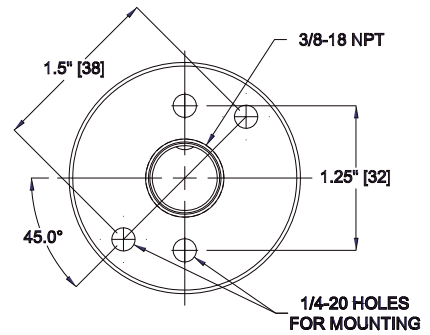
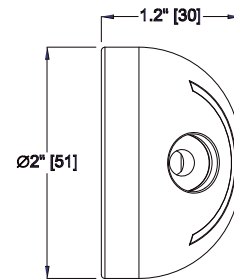
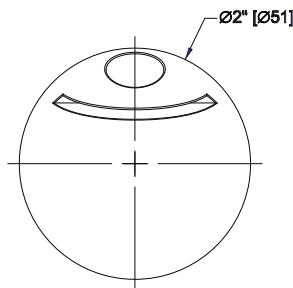
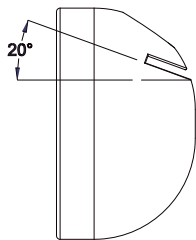


## Penal Bubbler



Part No. 100361

### ► Description

I-CON's Penal Bubbler is a vandal resistant drinking bubbler with an Anti-spray design to prevent water abuse. The bubbler is a hemispherical shape made from type 304 stainless steel and conforms with lead free requirements.


### Specifications

- Full 304 Stainless Steel Construction
- Stainless Steel mounting hardware provided
- Lead Free Construction
- Hemispherical shape
- Anti-spray design
- Conforms to lead free requirements for NSF61, Section 9, 1997 and CHSC 116875.

### ► Accessories

See Accessories Section of the I-CON catalog or contact our Customer Service Team for details.



 **WARNING:** Cancer and Reproductive Harm - [www.P65Warnings.ca.gov](http://www.P65Warnings.ca.gov)

This space is for Architect/Engineer approval

The information contained in this document is subject to change without notice.