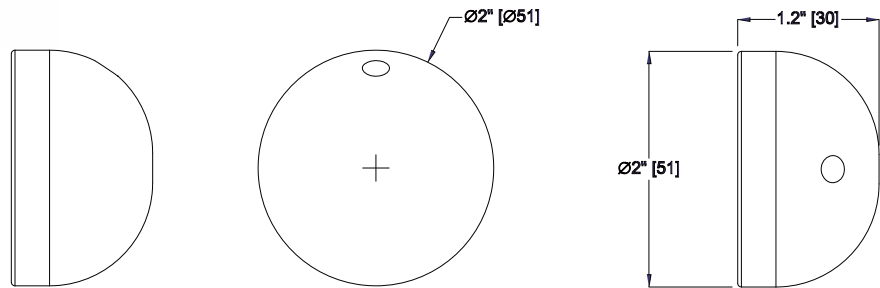
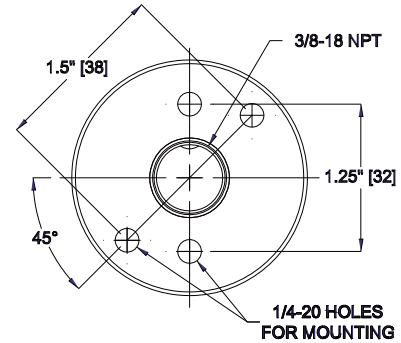


Anti-Suicide Penal Bubbler



Part No. 100362

► **Description**

I-CON's Anti-Suicide Penal Bubbler is a vandal and suicide resistant drinking bubbler designed to prevent use as a suicide device. Designed to inhibit use as a device to dislocate and remove handcuffs. The bubbler is a hemispherical shape made from type 304 stainless steel and conforms with lead free requirements.


Specifications

- Full 304 Stainless Steel Construction
- Stainless Steel mounting hardware provided
- Lead Free Construction
- Hemispherical shape
- Conforms to lead free requirements for NSF61, Section 9, 1997 and CHSC 116875.

► **Accessories**

See Accessories Section of the I-CON catalog or contact our Customer Service Team for details.



 **WARNING:** Cancer and Reproductive Harm - www.P65Warnings.ca.gov

This space is for Architect/Engineer approval

The information contained in this document is subject to change without notice.