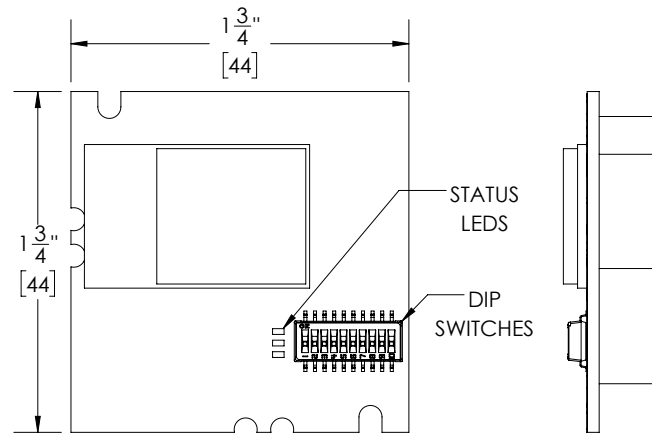
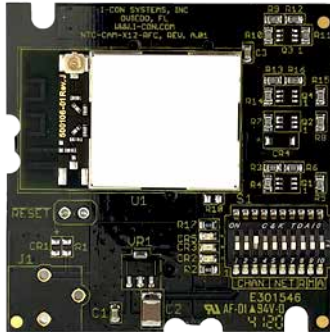


## Wireless Communication Daughterboard



Part No. 100417

**NOTE:** USB Wireless Network Interface required and sold separately.

### ► **Description**

The wireless communication daughterboard is designed for use with I-CON's NEXUS® Model 4 I/O or 8 I/O AC Controllers. Multiple controllers can be wirelessly networked and linked to I-CON's ENVISAGE® Water Management Console for maximum control of plumbing fixtures over a secure dedicated wireless network.

### ► **System Requirements**


System requirements may vary depending on facility design and construction. Contact customer service for additional details.

### ► **Accessories**

See Accessories Section of the I-CON catalog or contact our Customer Service Team for details.

### **Specifications**

- Plugs easily into any NEXUS® 4-I/O or 8-I/O AC controller without the use of tools
- LED indication of communication status
- ENVISAGE® networks can be formed with a combination of wired and wireless technologies
- Operates in the 2.4GHz frequency band with the following features:
  - Secure, government strength AES encryption
  - Automatic network formation
  - Multiple networks can be created without interfering with each other
  - Will not interfere with other wireless systems such as WiFi or 2-way radios

 **WARNING:** Cancer and Reproductive Harm - [www.P65Warnings.ca.gov](http://www.P65Warnings.ca.gov)

This space is for Architect/Engineer approval



The information contained in this document is subject to change without notice.