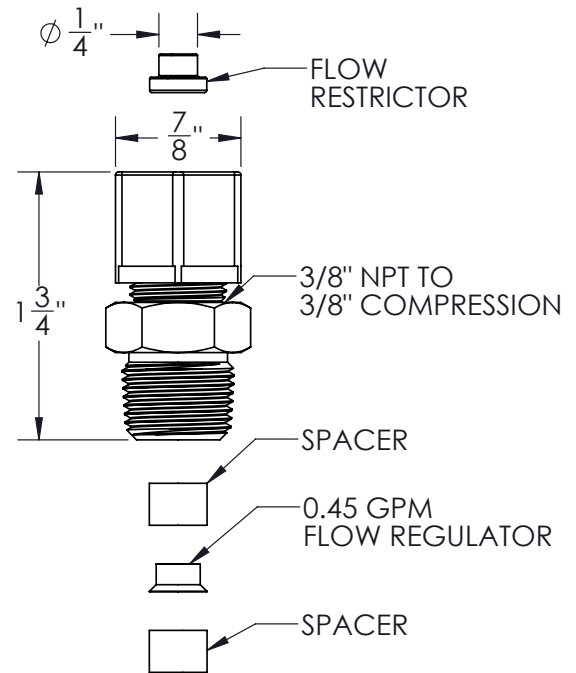


## ELEMENT® Manifold Flow Regulator Assembly



Part No. 100478

### ► **Description**

A complete replacement of flow regulator assembly for ELEMENT® lavatory manifolds.


### ► **Specifications**

- Recommended for lavatory valves
- Pressure compensating flow regulator allows 0.45gpm
- Includes
  - (1) Flow Restrictor (for 1/4" ID tube)
  - See Installation Guidelines for recommended use.*
  - (1) 3/8" NPT to 3/8" Compression Fitting
  - (1) 0.45 Flow Regulator
  - (2) Spacers

### ► **Accessories**

See Accessories Section of the I-CON catalog or contact our Customer Service Team for details.



 **WARNING:** Cancer and Reproductive Harm - [www.P65Warnings.ca.gov](http://www.P65Warnings.ca.gov)

This space is for Architect/Engineer approval

The information contained in this document is subject to change without notice.