

Front Access 38" ADA Combination Fixture for 90° Interior Wall



Specification Guide

- 14-gauge type 304 stainless steel
- Seamlessly welded
- Satin finished surfaces
- Mirror finished, integral, elongated seat
- Oval lavatory basin with fast drain
- 4" high backsplash
- Air-circulating, self-draining soap dish
- 1-1/2" NPT male fitting for removable lavatory waste
- Blowout flushing action with self-draining, flushing rim
- Flush connection is 1-1/2" NPT male
- 2-3/8" OD, stainless steel toilet waste with various waste options
- ADA seat height of 18"
- Rear grab bar
- Sound dampening, fire-resistant cabinet
- Removable access panels secured with tamper-resistant fasteners
- 10 anchoring locations

Part No. 100689 : AF

Fixture may be featured with available options.

► Description

I-CON combination fixtures are seamlessly welded, 14-gauge type 304 stainless steel. Exposed surfaces have satin finishes except for the mirror-finished, integral, elongated seat. The fixture does not require a wall opening and chase area for installation and maintenance. Combination fixtures include an oval basin, integral strainer, 4" high backsplash, and an air-circulating, self-draining soap dish. The toilet features a blowout flushing action with a self-draining flush rim. The fixture interior is coated with a sound-dampening, fire-resistant material. The fixture is intended to be installed against a 90-degree interior wall. The fixture meets ADA requirements when installed according to ADA guidelines. Exposed fasteners are tamper-resistant stainless steel.

► Performance

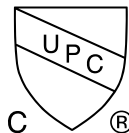
I-CON toilets meet or exceed ASME A112.19.3 and CSA B45.4 requirements. The toilets are designed to withstand a 5,000 lbs. load without permanent deflection and damage, and the trap allows for a 2-1/2" ball to pass. A 1" supply line with a minimum of 25 PSI flow pressure is required. When used with an I-CON MOMENTUM® flush valve, the fixture can flush as low as 1.0 gpf. The fixture can flush as low as 1.28gpf if used with other flush valves.

► Accessories & Options

See accessories and available options on page 2.

► Recommended I-CON Intelligent Control System

The system includes low voltage, water-resistant controllers; waterproof, stainless-steel actuators; direct-acting solenoid valves with no diaphragms; and an ASSE-certified flush valve proven more reliable and less expensive to maintain than traditional valves. When used with the I-CON MOMENTUM® flush valve, the unit can flush 1.0 gpf, exceeding all HET requirements. The I-CON System can be configured as a standalone or communicating system linked to our touchscreen PC technology. Both configurations offer the capability to stop flooding and abuse while managing toilet flushes per hour/per fixture, which reduces water usage and sewer costs.



Front Access 38" ADA Combination Fixture for 90° Interior Wall

Part No. 100689 : AF

- ▶ **Access Type** (must select one)
 - Front
- ▶ **Fixture Location** (must select one)
 - Off Floor On Floor
- ▶ **Outlet Location** (must select one)
 - Floor Outlet Wall Outlet
- ▶ **Toilet Orientation** (must select one)
 - Offset Left Offset Right
- ▶ **Lavatory Actuator Cutouts** (must select one)
 - TruTOUCH® Single Temperature TruTOUCH® Dual Temperature
- ▶ **Toilet Actuator Cutout** (must select one)
 - TruTOUCH® Sensor
- ▶ **Toilet Waste** (must select one)
 - 3" Beyond Rear of Fixture
 - Custom ___ Inches Beyond Rear of Fixture
 - Gasket Waste Outlet

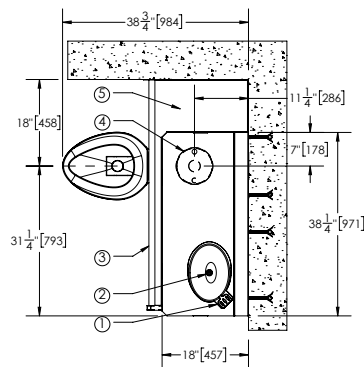
Note: 1" increments for custom waste (15" MAX)
- ▶ **Lavatory Waste** (must select one)
 - 1-1/2" NPT Male Fitting for Removable Waste
 - Combined Waste
- ▶ **Grab Bar** (must select one)
 - No Grab Bar - *Does not meet ADA requirements.*
 - Rear Grab Bar
 - Rear Grab Bar w/ Closure Plate
- ▶ **Additional Options** (optional)
 - Towel Hook - Single Double
 - Toothbrush Holder - Single Double
 - Integral Tissue Holder* - Front Left Right
 - *Not an ADA-Compliant Tissue Dispenser*
 - Hinged White Plastic Seat without Cover
 - Integral Shelf
 - Ligature-Resistant Skirt
 - Vent Grill Left Right Bottom
 - 12 Gauge Cabinet
 - Lavatory Overflow
 - White Powder Coating

Note: If any modification is required please contact factory for availability.

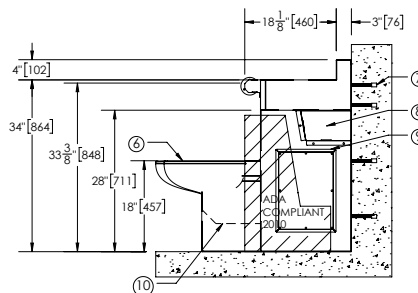
Our Experts Recommend (sold separately)

- ▶ **Grab Bars**
 - Stainless Steel 42" Straight Grab Bar with Closure Plate (104075 : 42" : With Plate) - Refer to Local Code
 - Stainless Steel 42" Straight Grab Bar without Closure Plate (104075 : 42" : w/o Plate) - Refer to Local Code
 - Stainless Steel 24" Straight Grab Bar (104075 : 24" : w/o Plate) - Refer to Local Code
- ▶ **Lavatory Bubbler**
 - Penal Bubbler (100361 : w/o Mthgrd : Bub Only)
 - Penal Bubbler Kit (100361 : w/o Mthgrd : Bub Kit)
 - Penal Bubbler with Mouthguard Kit (100361 : w/ Mthgrd : Bub Kit)
 - Ligature Resistant Bubbler (100362 : Bub Only)
 - Ligature Resistant Bubbler Kit (100362 : Bub Kit)
- ▶ **Lavatory Waste Options** (use w/1-1/2" NPT Male Fitting for Removable Waste Option ONLY)
 - P-Trap in Cabinet, Cast Brass w/ Plug, Removable (101592)
 - Thru-Wall Connection w/ P-Trap (101593)
 - Removable 90° Cast Brass Elbow (101907)
- ▶ **Toilet Waste Coupling**
 - 2-3/8" Stainless Steel to 3" Cast Iron/Plastic No-Hub (100443 : 3" : NH C Only)
 - 2-3/8" Stainless Steel to 3" Cast Iron/Plastic No-Hub with Cleanout T & Plug (100443 : 3" : NH CTP)
 - 2-3/8" Stainless Steel to 3" Cast Iron/Plastic No-Hub with Cleanout T & Pinned Plug (100443 : 3" : NH CTPP)
 - 2-3/8" Stainless Steel to 3" Cast Iron/Plastic No-Hub with Cleanout T & Hook Assembly (100443 : 3" : NH CTH)
 - 2-3/8" Stainless Steel to 4" Cast Iron/Plastic No-Hub (100443 : 4" : NH C Only)
 - 2-3/8" Stainless Steel to 4" Cast Iron/Plastic No-Hub with Cleanout T & Plug (100443 : 4" : NH CTP)
 - 2-3/8" Stainless Steel to 4" Cast Iron/Plastic No-Hub with Cleanout T & Pinned Plug (100443 : 4" : NH CTPP)
 - 2-3/8" Stainless Steel to 4" Cast Iron/Plastic No-Hub with Cleanout T & Hook Assembly (100443 : 4" : NH CTH)

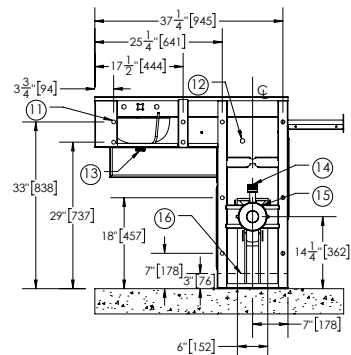
1. SOAP DISH
2. FAST DRAIN
3. REAR GRAB BAR
4. OPTIONAL GASKET WASTE FLOOR OUTLET
5. OPTIONAL CLOSURE PLATE FOR GRAB BAR



6. MIRROR FINISH SEAT
7. WALL ANCHOR (BY OTHERS)
8. REMOVABLE LAVATORY TRAP COVER
9. RIGHT AND LEFT REMOVABLE ACCESS PANELS
10. TOILET TRAP COVER FOR OFF FLOOR FIXTURES



11. 10X 3/4" MOUNTING HOLES ON FIXTURE
12. FLUSH CONTROL
13. OPTIONAL 1-1/2" NPT MALE FOR REMOVABLE WASTE
14. 1-1/2" NPT MALE FLUSH SUPPLY INLET
15. OPTIONAL GASKET WASTE WALL OUTLET
16. BOTTOM OF OFF FLOOR FIXTURE



*NOTE: TOILET OFFSET LEFT ORIENTATION IS AS SHOWN. TOILET OFFSET RIGHT ORIENTATION IS OPPOSITE (MIRRORED).

WARNING: Cancer and Reproductive Harm - www.P65Warnings.ca.gov

Important: Installation instructions and rough-in are included with each fixture. Do not modify these drawings. Do not rough in with certified dimensions. Dimensions are subject to manufacturer's tolerance of plus or minus 1/4" and change without notice. I-CON assumes no responsibility for use of voided or superseded data.

© I-CON Systems

Approved for Manufacturing

Company _____ Quantity _____
Signature _____ Date _____