

ADA Compact Combination Fixture



Part No. 100690

Fixture may be featured with available options.

Specification Guide

- 14-gauge type 304 stainless steel
- Seamlessly welded
- Satin finished surfaces
- Mirror finished, integral, elongated seat
- Oval lavatory basin with fast drain
- 4" high backsplash
- Air-circulating, self-draining soap dish
- 1-1/4" OD stainless steel lavatory elbow waste with plain end extended 3" beyond rear of fixture
- Blowout flushing action, with self-draining flushing rim
- Flush connection is 1-1/2" NPT female
- 2-3/8" OD stainless steel toilet waste with plain end extended 3" beyond rear of fixture
- ADA seat height of 18"
- Rear Grab bar
- Sound dampened, fire-resistant cabinet
- 6 anchoring locations

Note: Optional wall sleeve or metal template is recommended for all installations for required wall openings.

► Description

I-CON combination fixtures are seamlessly welded, 14-gauge type 304 stainless steel. Exposed surfaces have satin finishes except for the mirror finished, integral, elongated seat. The fixture requires a wall opening and chase area for installation and maintenance. Combination fixtures are furnished with an oval basin, integral strainer, 4" high backsplash, and an air-circulating, self-draining soap dish. The toilet features a blowout flushing action with a self-draining flush rim. The fixture interior is coated with a sound dampening, fire-resistant material. The fixture meets ADA requirements when installed according to ADA guidelines.

► Performance

I-CON toilets meet or exceed ASME A112.19.3 and CSA B45.4 requirements. The toilets are designed to withstand a 5,000 lbs. load without permanent deflection and damage, and the trap allows for a 2-3/8" ball to pass. A 1" supply line with a minimum of 25 PSI flow pressure is required. When used with an I-CON MOMENTUM® flush valve, the fixture is capable of flushing as low as 1.0gpf. If used with other flush valves, the fixture is capable of flushing as low as 1.28gpf.

► Accessories & Options

See accessories and available options on page 2.

► Recommended I-CON Intelligent Control System

The system includes low voltage, water-resistant controllers; waterproof, stainless steel actuators; direct-acting solenoid valves with no diaphragms; and an ASSE-certified flush valve proven to be more reliable and less expensive to maintain than traditional valves. When used with the I-CON MOMENTUM® flush valve, the unit is capable of flushing 1.0 gpf, exceeding all HET requirements. The I-CON System can be configured as a standalone or communicating system linked to our touchscreen PC technology. Both configurations offer the capability to stop flooding and abuse while managing toilet flushes per hour/per fixture, which reduces water usage and sewer costs.



ADA Compact Combination Fixture

Part No. 100690

- ▶ **Access Type (must select one)**
 Rear
- ▶ **Fixture Location (must select one)**
 Off Floor On Floor
- ▶ **Outlet Location (must select one)**
 Floor Outlet Wall Outlet
- ▶ **Toilet Orientation (must select one)**
 Angled Left Angled Right
- ▶ **Lavatory Actuator Cutouts (must select one)**
 TruTOUCH® Single Temperature TruTOUCH® Dual Temperature
- ▶ **Toilet Actuator Cutout (must select one)**
 TruTOUCH® Sensor
- ▶ **Toilet Waste (must select one)**
 3" Beyond Rear of Fixture
 Custom ___ Inches Beyond Rear of Fixture
 Gasket Waste Outlet
Note: 1" increments for custom waste (15" MAX)
- ▶ **Lavatory Waste (must select one)**
 1-1/2" NPT Male Fitting for Removable Waste
 Elbow; 3" Beyond Rear of Fixture
 Elbow; Custom ___ Inches Beyond Rear of Fixture
 Elbow; 1-1/2" NPT Female to Rear of Fixture
 P-Trap in Cabinet; 3" Beyond Rear of Fixture
 P-Trap in Cabinet; Custom ___ Inches Beyond Rear of Fixture
 P-Trap in Cabinet; 1-1/2" NPT Female to Rear of Fixture
 Combined Waste
Note: 1" increments for custom waste (15" MAX)
- ▶ **Grab Bars (must select one)**
 No Grab Bar - *Does not meet ADA requirements.*
 Rear Grab Bar
 Rear Grab Bar w/ Closure Plate
- ▶ **Additional Options (optional)**
 Towel Hook - Single Double
 Toothbrush Holder - Single Double
 Integral Tissue Holder - (*Not an ADA Compliant Tissue Dispenser*)
 Left Right
 Hinged White Plastic Seat without Cover
 Ligature-Resistant Skirt
 Vent Grill Left Right Bottom

Note: If any modification is required please contact factory for availability.

- ▶ **Additional Options cont. (optional)**
 12 Gauge Cabinet Lavatory Overflow
 Flush Valve in Opposite Location of Standard White Powder Coating

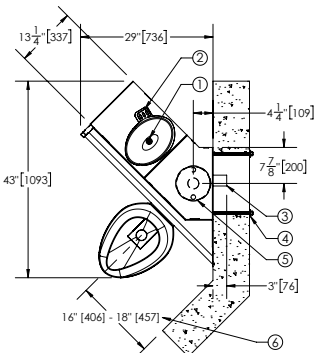
Included with Fixture (must select one)

- ▶ **Wall Thickness (Standard Mounting Hardware)**
 0" to 4" (101594 : 6" : 6 Bolts) 4" to 8" (101594 : 10" : 6 Bolts)
 8" to 12" (101594 : 14" : 6 Bolts)

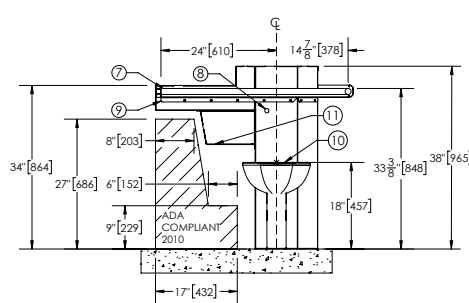
Our Experts Recommend (sold separately)

- ▶ **Grab Bars**
 S.S. 42" Straight Grab Bar with Closure Plate (104075 : 42" : With Plate)*
 S.S. 42" Straight Grab Bar without Closure Plate (104075 : 42" : w/o Plate)*
 S.S. 24" Straight Grab Bar with Closure Plate (104075 : 24" : w/o Plate)*
- ▶ **Lavatory Bubbler** ** Refer to Local Code*
 Penal Bubbler (100361 : w/o Mthgrd : Bub Only)
 Penal Bubbler Kit (100361 : w/o Mthgrd : Bub Kit)
 Penal Bubbler with Mouthguard Kit (100361 : w/ Mthgrd : Bub Kit)
 Ligature Resistant Bubbler (100362 : Bub Only)
 Ligature Resistant Bubbler Kit (100362 : Bub Kit)
- ▶ **Lavatory Waste Options** (*use w/1-1/2" NPT Male Fitting for Removable Waste Option ONLY*)
 P-Trap in Cabinet, Cast Brass w/ Plug, Removable (101592)
 Thru-Wall Connection w/ P-Trap (101593)
 Removable 90° Cast Brass Elbow (101907)
- ▶ **Toilet Waste Coupling**
 2-3/8" Stainless Steel to 3" Cast Iron/Plastic No-Hub (100443 : 3" : NH C Only)
 2-3/8" Stainless Steel to 3" Cast Iron/Plastic No-Hub with Cleanout T & Plug (100443 : 3" : NH CTP)
 2-3/8" Stainless Steel to 3" Cast Iron/Plastic No-Hub with Cleanout T & Pinned Plug (100443 : 3" : NH CTHP)
 2-3/8" Stainless Steel to 3" Cast Iron/Plastic No-Hub with Cleanout T & Hook Assembly (100443 : 3" : NH CTH)
 2-3/8" Stainless Steel to 4" Cast Iron/Plastic No-Hub (100443 : 4" : NH C Only)
 2-3/8" Stainless Steel to 4" Cast Iron/Plastic No-Hub with Cleanout T & Plug (100443 : 4" : NH CTP)
 2-3/8" Stainless Steel to 4" Cast Iron/Plastic No-Hub with Cleanout T & Pinned Plug (100443 : 4" : NH CTP)
 2-3/8" Stainless Steel to 4" Cast Iron/Plastic No-Hub with Cleanout T & Hook Assembly (100443 : 4" : NH CTP)
- ▶ **Wall Sleeve & Wall Template**
 Wall Sleeve: QTY _____ Wall Thickness: _____
 Wall Template: QTY _____

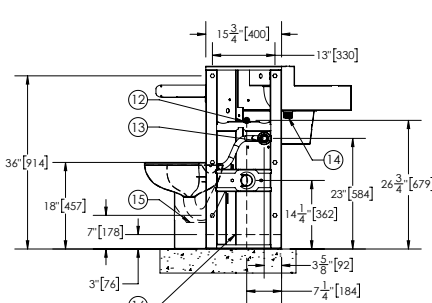
1. FAST DRAIN
2. SOAP DISH
3. OPTIONAL 3" BEYOND REAR OF FIXTURE WASTE OUTLET
4. WALL ANCHOR
5. OPTIONAL GASKET WASTE FLOOR OUTLET



6. ADA INSTALLATION DIMENSION
7. REAR ADA GRAB BAR
8. FLUSH CONTROL
9. OPTIONAL CLOSURE PLATE FOR GRAB BAR
10. MIRROR FINISH SEAT
11. REMOVABLE TRAP COVER



12. LAVATORY WASTE OUTLET LOCATION
13. 1-1/2" NPT FEMALE FLUSH SUPPLY INLET
14. OPTIONAL 1-1/2" NPT MALE FITTING FOR REMOVABLE WASTE
15. TOILET TRAP COVER FOR OFF FLOOR FIXTURE
16. BOTTOM OF OFF FLOOR FIXTURE



*NOTE: TOILET ANGLED RIGHT ORIENTATION IS AS SHOWN. TOILET ANGLED LEFT ORIENTATION IS OPPOSITE (MIRRORED).

WARNING: Cancer and Reproductive Harm - www.P65Warnings.ca.gov
Important: Installation instructions and rough-in are included with each fixture. Do not modify these drawings. Do not rough in with certified dimensions. Dimensions are subject to manufacturer's tolerance of plus or minus 1/4" and change without notice. I-CON assumes no responsibility for use of voided or superseded data.
 © I-CON Systems

Approved for Manufacturing

Company _____ Quantity _____
 Signature _____ Date _____