

## Front Access ADA Compact Combination Fixture



### Specification Guide

- 14-gauge type 304 stainless steel
- Seamlessly welded
- Satin finished surfaces
- Mirror finished, integral, elongated seat
- Oval lavatory basin with fast drain
- 4" high backsplash
- Air-circulating, self-draining soap dish
- 1-1/2" NPT male fitting for removable lavatory waste
- Blowout flushing action with self-draining, flushing rim
- Flush connection is 1-1/2" NPT male
- 2-3/8" OD, stainless steel, toilet waste with plain end extended 3" beyond rear of fixture
- ADA seat height of 18"
- Rear Grab bar
- Sound dampened, fire-resistant cabinet
- Removable access panels secured with tamper-resistant fasteners
- 6 anchoring locations

Part No. 100690 : AF

Fixture may be featured with available options.

### ► Description

I-CON combination fixtures are seamlessly welded, 14-gauge type 304 stainless steel. Exposed surfaces have satin finishes except for the mirror finished, integral, elongated seat. The fixture does not require a wall opening and chase area for installation and maintenance. Combination fixtures are furnished with an oval basin, integral strainer, 4" high backsplash, and an air-circulating, self-draining soap dish. The toilet features a blowout flushing action with a self-draining flush rim. The fixture interior is coated with a sound dampening, fire-resistant material. The fixture meets ADA requirements when installed according to ADA guidelines. The fixture interior is coated with a sound dampening, fire resistant material. Exposed fasteners are tamper-resistant stainless steel.

### ► Performance

I-CON toilets meet or exceed ASME A112.19.3 and CSA B45.4 requirements. The toilets are designed to withstand a 5,000 lbs. load without permanent deflection and damage, and the trap allows for a 2-1/8" ball to pass. A 1" supply line with a minimum of 25 PSI flow pressure is required. When used with an I-CON MOMENTUM® flush valve, the fixture is capable of flushing as low as 1.0gpf. If used with other flush valves, the fixture is capable of flushing as low as 1.28gpf.

### ► Accessories & Options

See accessories and available options on page 2.

### ► Recommended I-CON Intelligent Control System

The system includes low voltage, water-resistant controllers; waterproof, stainless steel actuators; direct-acting solenoid valves with no diaphragms; and an ASSE-certified flush valve proven to be more reliable and less expensive to maintain than traditional valves. When used with the I-CON MOMENTUM® flush valve, the unit is capable of flushing 1.0 gpf, exceeding all HET requirements. The I-CON System can be configured as a standalone or communicating system linked to our touchscreen PC technology. Both configurations offer the capability to stop flooding and abuse while managing toilet flushes per hour/per fixture, which reduces water usage and sewer costs.



# Front Access ADA Compact Combination Fixture

Part No. 100690 : AF

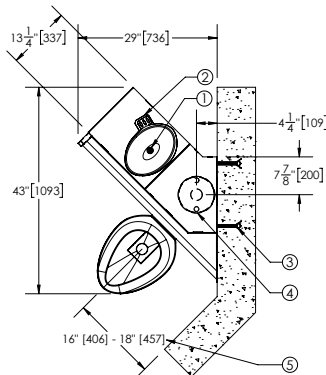
- ▶ **Access Type (must select one)**  
 Front
- ▶ **Fixture Location (must select one)**  
 Off Floor  On Floor
- ▶ **Outlet Location (must select one)**  
 Floor Outlet  Wall Outlet
- ▶ **Toilet Orientation (must select one)**  
 Angled Left  Angled Right
- ▶ **Lavatory Actuator Cutouts (must select one)**  
 TruTOUCH® Single Temperature  TruTOUCH® Dual Temperature
- ▶ **Toilet Actuator Cutout (must select one)**  
 TruTOUCH® Sensor
- ▶ **Toilet Waste (must select one)**  
 3" Beyond Rear of Fixture  
 Custom \_\_\_ Inches Beyond Rear of Fixture  
 Gasket Waste Outlet  
*Note: 1" increments for custom waste (15" MAX)*
- ▶ **Lavatory Waste (must select one)**  
 1-1/2" NPT Male Fitting for Removable Waste  
 Combined Waste
- ▶ **Grab Bar (must select one)**  
 No Grab Bar - *Does not meet ADA requirements.*  
 Rear Grab Bar  
 Rear Grab Bar w/ Closure Plate
- ▶ **Toilet Accessories (optional)**  
 Towel Hook -  Single  Double  
 Toothbrush Holder -  Single  Double  
 Integral Tissue Holder - *(Not an ADA Compliant Tissue Dispenser)*  
 Left  Right  
 Hinged White Plastic Seat without Cover  
 Integral Shelf
- ▶ **Additional Options (optional)**  
 Ligature-Resistant Skirt  
 Vent Grill  Left  Right  Bottom  
 12 Gauge Cabinet  
 Lavatory Overflow  
 White Powder Coating

Note: If any modification is required please contact factory for availability.

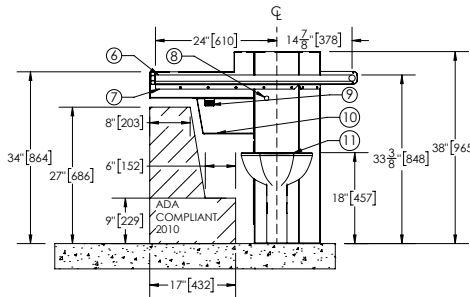
**Our Experts Recommend (sold separately)**

- ▶ **Grab Bars**
  - S.S. 42" Straight Grab Bar with Closure Plate (104075 : 42" : With Plate)\*
  - S.S. 42" Straight Grab Bar without Closure Plate (104075 : 42" : w/o Plate)\*
  - S.S. 24" Straight Grab Bar with Closure Plate (104075 : 24" : w/o Plate)\*
- \* Refer to Local Code*
- ▶ **Lavatory Bubblers**
  - Penal Bubblers (100361 : w/o Mthgrd : Bub Only)
  - Penal Bubblers Kit (100361 : w/o Mthgrd : Bub Kit)
  - Penal Bubblers with Mouthguard Kit (100361 : w/ Mthgrd : Bub Kit)
  - Ligature Resistant Bubblers (100362 : Bub Only)
  - Ligature Resistant Bubblers Kit (100362 : Bub Kit)
- ▶ **Lavatory Waste Options (use w/1-1/2" NPT Male Fitting for Removable Waste Option ONLY)**
  - P-Trap in Cabinet, Cast Brass w/ Plug, Removable (101592)
  - Thru-Wall Connection w/ P-Trap (101593)
  - Removable 90° Cast Brass Elbow (101907)
- ▶ **Toilet Waste Coupling**
  - 2-3/8" Stainless Steel to 3" Cast Iron/Plastic No-Hub (100443 : 3" : NH C Only)
  - 2-3/8" Stainless Steel to 3" Cast Iron/Plastic No-Hub with Cleanout T & Plug (100443 : 3" : NH CTP)
  - 2-3/8" Stainless Steel to 3" Cast Iron/Plastic No-Hub with Cleanout T & Pinned Plug (100443 : 3" : NH CTPP)
  - 2-3/8" Stainless Steel to 3" Cast Iron/Plastic No-Hub with Cleanout T & Hook Assembly (100443 : 3" : NH CTH)
  - 2-3/8" Stainless Steel to 4" Cast Iron/Plastic No-Hub (100443 : 4" : NH C Only)
  - 2-3/8" Stainless Steel to 4" Cast Iron/Plastic No-Hub with Cleanout T & Plug (100443 : 4" : NH CTP)
  - 2-3/8" Stainless Steel to 4" Cast Iron/Plastic No-Hub with Cleanout T & Pinned Plug (100443 : 4" : NH CTP)
  - 2-3/8" Stainless Steel to 4" Cast Iron/Plastic No-Hub with Cleanout T & Hook Assembly (100443 : 4" : NH CTP)

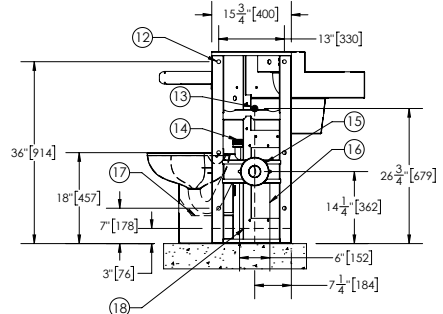
1. FAST DRAIN
2. SOAP DISH
3. WALL ANCHOR (BY OTHERS)
4. OPTIONAL GASKET WASTE FLOOR OUTLET
5. ADA INSTALLATION DIMENSIONS



6. REAR ADA GRAB BAR
7. OPTIONAL CLOSURE PLATE FOR GRAB BAR
8. FLUSH CONTROL
9. OPTIONAL 1-1/2" NPT MALE FITTING FOR REMOVABLE WASTE
10. REMOVABLE TRAP COVER
11. MIRROR FINISH SEAT



12. 6X 3/4" MOUNTING HOLES ON FIXTURE
13. LAVATORY WASTE OUTLET LOCATION
14. 1-1/2" NPT MALE FLUSH SUPPLY INLET
15. OPTIONAL GASKET WASTE WALL OUTLET
16. REMOVABLE ACCESS PANEL
17. TOILET TRAP COVER FOR OFF FLOOR FIXTURE
18. BOTTOM OF OFF FLOOR FIXTURE



\*NOTE: TOILET ANGLED RIGHT ORIENTATION IS AS SHOWN. TOILET ANGLED LEFT ORIENTATION IS OPPOSITE (MIRRORED).

**WARNING:** Cancer and Reproductive Harm - [www.P65Warnings.ca.gov](http://www.P65Warnings.ca.gov)  
**Important:** Installation instructions and rough-in are included with each fixture. Do not modify these drawings. Do not rough in with certified dimensions. Dimensions are subject to manufacturer's tolerance of plus or minus 1/4" and change without notice. I-CON assumes no responsibility for use of voided or superseded data.  
 © I-CON Systems

**Approved for Manufacturing**

Company \_\_\_\_\_ Quantity \_\_\_\_\_  
 Signature \_\_\_\_\_ Date \_\_\_\_\_