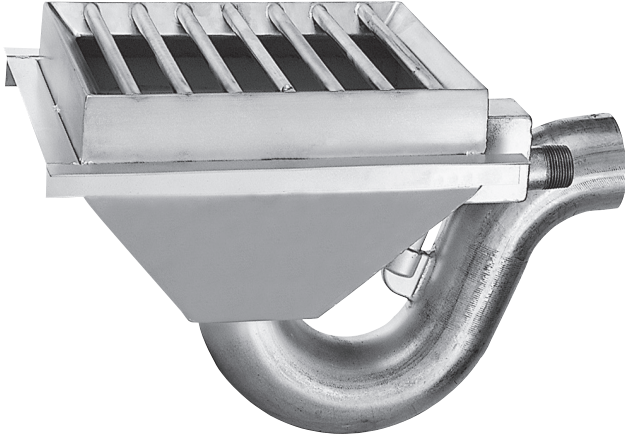


Detox Toilet



Specification Guide

- 14-gauge type 304 stainless steel
- Seamlessly welded
- Satin finished surfaces
- Blowout flushing action
- Flush connection is 1" NPT male
- 2-3/8" OD, stainless steel waste

Part No. 100706

Fixture may be featured with available options.

► Description

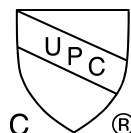
I-CON detox toilets are seamlessly welded 14-gauge type 304 stainless steel. Exposed surfaces have satin finishes. The fixtures are designed for an in-the-floor installation with a remotely located flush valve. A Minimum 1" supply line that provides at least 25psi of flushing pressure is required. The top flushing rim provides a full, sanitary washdown of all sides. Solid 3/8" diameter stainless steel bars are integrally welded to a removable grate attached to the flushing rim. The safety grate is secured by stainless steel, tamper-resistant security screws.

► Accessories & Options

See accessories and available options on page 2.

► Recommended I-CON Intelligent Control System

The system includes low voltage, water-resistant controllers; waterproof stainless-steel actuators; direct-acting solenoid valves with no diaphragms; and an ASSE-certified flush valve proven to be more reliable and less expensive to maintain than traditional valves. When used with the I-CON MOMENTUM® flush valve, the unit is capable of flushing 1.0 gpf, exceeding all HET requirements. The I-CON System can be configured as a standalone or communicating system linked to our touchscreen PC technology. Both configurations offer the capability to stop flooding and abuse while managing toilet flushes per hour per fixture, which reduces water usage and sewer costs.



Detox Toilet

Part No. 100706

► **Base Model (must select one)**

Detox Toilet

► **Flange (must select one)**

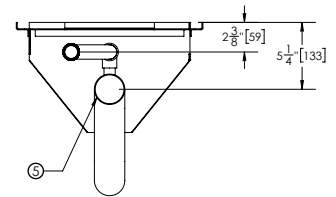
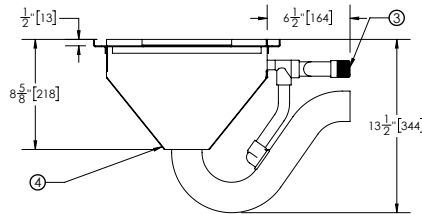
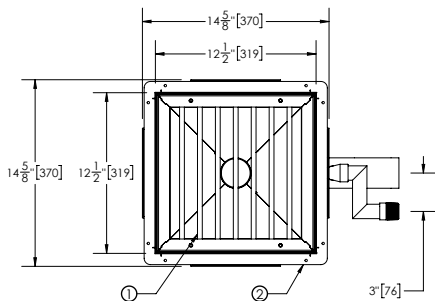
With Flange
 Less Flange

Note: If any modification is required please contact factory for availability.

- 1. REMOVABLE GRATE WITH 3/8" WELDED STAINLESS STEEL RODS
- 2. OPTIONAL FINISHING FLANGE

- 3. 1" NPT MALE INLET
- 4. SLOPED SIDES

- 5. 2-3/8" PLAIN END OUTLET



WARNING: Cancer and Reproductive Harm - www.P65Warnings.ca.gov
Important: Installation instructions and rough-in are included with each fixture. Do not modify these drawings. Do not rough in with certified dimensions. Dimensions are subject to manufacturer's tolerance of plus or minus 1/4" and change without notice. I-CON assumes no responsibility for use of voided or superseded data.

Approved for Manufacturing

Company _____ Quantity _____
Signature _____ Date _____