

## Front Access On Floor ADA Blowout Toilet



### Specification Guide

- 14-gauge type 304 stainless steel
- Seamlessly welded
- Satin finished surfaces
- Mirror finished, integral, elongated seat
- Blowout flushing action with self-draining, flushing rim
- Wall supply flush connection is 1-1/2" NPT female
- Top supply flush connection is 1-1/2" NPT male
- 2-3/8" OD, stainless steel trap with various waste options available
- ADA seat height of 18"
- 4 anchoring locations

Part No. 100707 : AF

Fixture may be featured with available options.

### ► Description

I-CON toilets are seamlessly welded 14-gauge type 304 stainless steel. Exposed surfaces have satin finishes except for the mirror-finished, integral, elongated seat. The fixture does not require a wall opening and chase area for installation and maintenance. The toilet features a blowout flushing action with a self-draining flush rim. The fixture meets ADA requirements when installed according to ADA guidelines.

### ► Performance

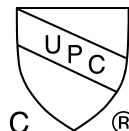
I-CON toilets meet or exceed ASME A112.19.3 and CSA B45.4 requirements. The toilets are designed to withstand a 5,000 lbs. load without permanent deflection and damage, and the trap allows for a 2-1/8" ball to pass. A 1" supply line with a minimum of 25 PSI flow pressure is required. When used with an I-CON MOMENUM® flush valve, the fixture is capable of flushing as low as 1.0 gpf. If used with other flush valves, the fixture is capable of flushing as low as 1.28 gpf.

### ► Accessories & Options

See accessories and available options on page 2.

### ► Recommended I-CON Intelligent Control System

The system includes low voltage, water-resistant controllers; waterproof stainless-steel actuators; direct-acting solenoid valves with no diaphragms; and an ASSE-certified flush valve proven to be more reliable and less expensive to maintain than traditional valves. When used with the I-CON MOMENTUM® flush valve, the unit is capable of flushing 1.0 gpf, exceeding all HET requirements. The I-CON System can be configured as a standalone or communicating system linked to our touchscreen PC technology. Both configurations offer the capability to stop flooding and abuse while managing toilet flushes per hour per fixture, which reduces water usage and sewer costs.



# Front Access On Floor ADA Blowout Toilet

Part No. 100707 : AF

- ▶ **Access Type (must select one)**
  - Front
- ▶ **Outlet Location (must select one)**
  - Wall Outlet
- ▶ **Supply Location (must select one)**
  - Wall Supply  Top Supply
- ▶ **Toilet Waste (must select one)**
  - 3" Beyond Rear of Fixture
  - Custom \_\_\_ Inches Beyond Rear of Fixture
  - Gasket Waste Outlet

*Note: 1" increments for custom waste (15" MAX)*
- ▶ **Additional Options**
  - Hinged White Plastic Seat without Cover
  - 12 Gauge Skirt
  - White Powder Coating
  - Ligature Resistant Skirt

## Our Experts Recommend (sold separately)

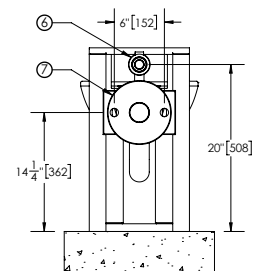
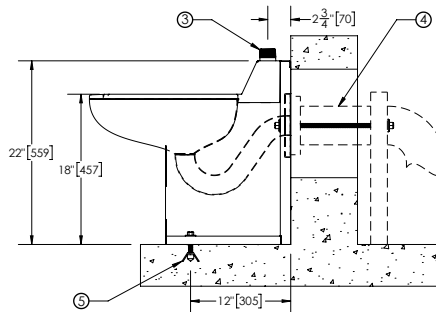
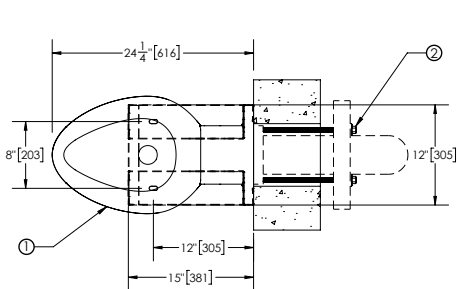
- ▶ **Toilet Waste Coupling**
  - 2-3/8" Stainless Steel to 3" Cast Iron/Plastic No-Hub (**100443 : 3" : NH C Only**)
  - 2-3/8" Stainless Steel to 3" Cast Iron/Plastic No-Hub with Cleanout T & Plug (**100443 : 3" : NH CTP**)
  - 2-3/8" Stainless Steel to 3" Cast Iron/Plastic No-Hub with Cleanout T & Pinned Plug (**100443 : 3" : NH CTPP**)
  - 2-3/8" Stainless Steel to 3" Cast Iron/Plastic No-Hub with Cleanout T & Hook Assembly (**100443 : 3" : NH CTH**)
  - 2-3/8" Stainless Steel to 4" Cast Iron/Plastic No-Hub (**100443 : 4" : NH C Only**)
  - 2-3/8" Stainless Steel to 4" Cast Iron/Plastic No-Hub with Cleanout T & Plug (**100443 : 4" : NH CTP**)
  - 2-3/8" Stainless Steel to 4" Cast Iron/Plastic No-Hub with Cleanout T & Pinned Plug (**100443 : 4" : NH CTPP**)
  - 2-3/8" Stainless Steel to 4" Cast Iron/Plastic No-Hub with Cleanout T & Hook Assembly (**100443 : 4" : NH CTH**)

Note: If any modification is required please contact factory for availability.

1. MIRROR FINISH SEAT
2. MOUNTING HARDWARE (BY OTHERS)

3. 1-1/2" NPT MALE TOP SUPPLY INLET
4. EXISTING CARRIER
5. FLOOR ANCHOR (BY OTHERS)

6. 1-1/2" NPT FEMALE WALL SUPPLY INLET
7. OPTIONAL GASKET WASTE OUTLET



**WARNING:** Cancer and Reproductive Harm - [www.P65Warnings.ca.gov](http://www.P65Warnings.ca.gov)  
**Important:** Installation instructions and rough-in are included with each fixture. Do not modify these drawings. Do not rough in with certified dimensions. Dimensions are subject to manufacturer's tolerance of plus or minus 1/4" and change without notice. I-CON assumes no responsibility for use of voided or superseded data.

Approved for Manufacturing

Company \_\_\_\_\_ Quantity \_\_\_\_\_  
 Signature \_\_\_\_\_ Date \_\_\_\_\_