

On Floor ADA Siphon Jet Toilet



Specification Guide

- 14-gauge type 304 stainless steel
- Seamlessly welded
- Satin finished surfaces
- Mirror finished, integral, elongated seat
- Siphon flushing action with self-draining flushing rim
- Wall supply flush connection is 1-1/2" NPT female
- Top supply flush connection is 1-1/2" NPT male
- 2-3/8" OD stainless steel waste with various waste options available
- ADA seat height of 18"
- 4 anchoring locations
- Furnished with necessary fasteners for proper mounting

Part No. 100708

Fixture may be featured with available options.

Note: Optional wall sleeve or metal template is recommended for all installations for required wall openings.

► Description

I-CON toilets are seamlessly welded 14-gauge type 304 stainless steel. Exposed surfaces have satin finishes except for the mirror-finished, integral, elongated seat. The fixture requires a wall opening and chase area for installation and maintenance. The toilet features a siphon flushing action with a self-draining flush rim. The fixture meets ADA requirements when installed according to ADA guidelines.

► Performance

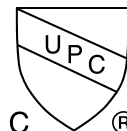
I-CON toilets meet or exceed ASME A112.19.3 and CSA B45.4 requirements. The toilets are designed to withstand a 5,000 lbs. load without permanent deflection and damage, and the trap allows for a 2-1/2" ball to pass. A 1" supply line with a minimum of 25 PSI flow pressure is required. When used with an I-CON MOMENUM® flush valve, the fixture is capable of flushing as low as 1.0 gpf. If used with other flush valves, the fixture is capable of flushing as low as 1.28 gpf.

► Accessories & Options

See accessories and available options on page 2.

► Recommended I-CON Intelligent Control System

The system includes low voltage, water-resistant controllers; waterproof stainless-steel actuators; direct-acting solenoid valves with no diaphragms; and an ASSE-certified flush valve proven to be more reliable and less expensive to maintain than traditional valves. When used with the I-CON MOMENUM® flush valve, the unit is capable of flushing 1.0 gpf, exceeding all HET requirements. The I-CON System can be configured as a standalone or communicating system linked to our touchscreen PC technology. Both configurations offer the capability to stop flooding and abuse while managing toilet flushes per hour per fixture, which reduces water usage and sewer costs.



On Floor ADA Siphon Jet Toilet

Part No. 100708

- ▶ **Access Type (must select one)**
 Rear
- ▶ **Outlet Location (must select one)**
 Wall Outlet Floor Outlet
- ▶ **Supply Location (must select one)**
 Wall Supply Top Supply
- ▶ **Toilet Waste (must select one)**
 3" Beyond Rear of Fixture
 Custom ___ Inches Beyond Rear of Fixture
 Gasket Waste Outlet
Note: 1" increments for custom waste (15" MAX)
- ▶ **Additional Options**
 Hinged White Plastic Seat without Cover
 12 Gauge Skirt
 White Powder Coating
 Ligature Resistant Skirt

Included with Fixture (must select one)

- ▶ **Wall Thickness (Standard Mounting Hardware)**
 0" to 4" (101594 : 6" : 6 Bolts)
 4" to 8" (101594 : 10" : 6 Bolts)
 8" to 12" (101594 : 14" : 6 Bolts)

Our Experts Recommend (sold separately)

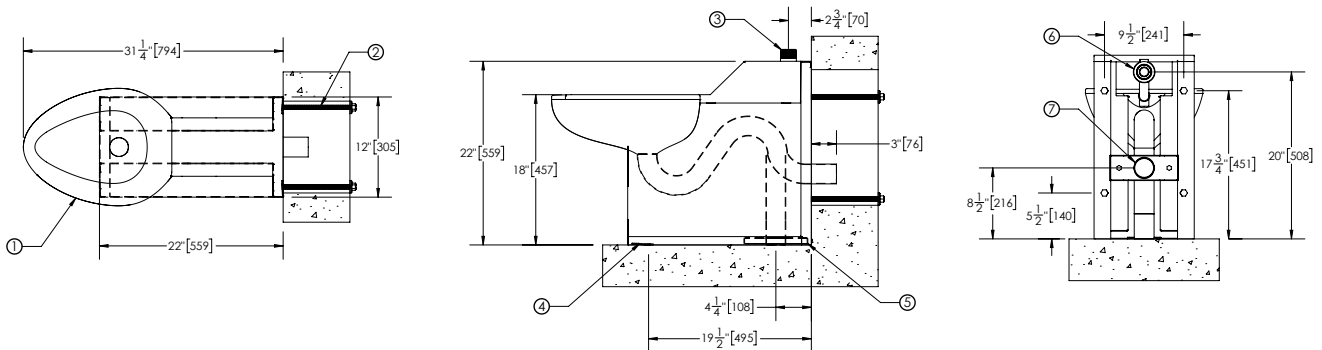
- ▶ **Toilet Waste Coupling**
 2-3/8" Stainless Steel to 3" Cast Iron/Plastic No-Hub (100443 : 3" : NH C Only)
 2-3/8" Stainless Steel to 3" Cast Iron/Plastic No-Hub with Cleanout T & Plug (100443 : 3" : NH CTP)
 2-3/8" Stainless Steel to 3" Cast Iron/Plastic No-Hub with Cleanout T & Pinned Plug (100443 : 3" : NH CTPP)
 2-3/8" Stainless Steel to 3" Cast Iron/Plastic No-Hub with Cleanout T & Hook Assembly (100443 : 3" : NH CTH)
 2-3/8" Stainless Steel to 4" Cast Iron/Plastic No-Hub (100443 : 4" : NH C Only)
 2-3/8" Stainless Steel to 4" Cast Iron/Plastic No-Hub with Cleanout T & Plug (100443 : 4" : NH CTP)
 2-3/8" Stainless Steel to 4" Cast Iron/Plastic No-Hub with Cleanout T & Pinned Plug (100443 : 4" : NH CTPP)
 2-3/8" Stainless Steel to 4" Cast Iron/Plastic No-Hub with Cleanout T & Hook Assembly (100443 : 4" : NH CTH)
- ▶ **Wall Sleeve & Wall Template**
 Wall Sleeve (102679 Series)
See Wall Sleeve Submittal to Order
 Wall Template (102843)
See Wall Template Submittal to Order

Note: If any modification is required please contact factory for availability.

1. MIRROR FINISH SEAT
2. 1/2" THREADED ANCHOR

3. 1-1/2" NPT MALE TOP SUPPLY INLET
4. FLOOR MOUNTED Z-CLIP
5. OPTIONAL GASKET WASTE FLOOR OUTLET

6. 1-1/2" NPT FEMALE WALL SUPPLY INLET
7. OPTIONAL 3" BEYOND REAR OF FIXTURE TOILET WASTE



WARNING: Cancer and Reproductive Harm - www.P65Warnings.ca.gov
Important: Installation instructions and rough-in are included with each fixture. Do not modify these drawings. Do not rough in with certified dimensions. Dimensions are subject to manufacturer's tolerance of plus or minus 1/4" and change without notice. I-CON assumes no responsibility for use of voided or superseded data.

Approved for Manufacturing

Company _____ Quantity _____
 Signature _____ Date _____