

20" Lavatory Fixture



Specification Guide

- 14-gauge type 304 stainless steel
- Seamlessly welded
- Satin finished surfaces
- Oval lavatory basin with fast drain
- 4" high backsplash
- Air-circulating, self-draining soap dish
- 1-1/4" OD, stainless steel, elbow waste with various waste options
- 4 anchoring locations
- Furnished with necessary fasteners for proper mounting

Part No. 100711

Fixture may be featured with available options.

Note: Optional wall sleeve or metal template is recommended for all installations for required wall openings.

► Description

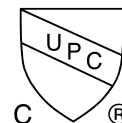
I-CON lavatories are seamlessly welded, 14-gauge type 304 stainless steel. Exposed surfaces have satin finishes. The fixture requires a wall opening and chase area for installation and maintenance. The lavatory is furnished with an oval basin, integral strainer, 4" high backsplash, and an air-circulating, self-draining soap dish.

► Recommended I-CON Intelligent Control System

The system includes low voltage, water-resistant controllers; waterproof, stainless steel actuators; and direct-acting solenoid valves with no diaphragms. The I-CON manifold lavatory valve allows for one (1) hot and cold water supply for up to four (4) lavatories. Its advanced design allows for 0.5 GPM without a rubber flow restrictor. The I-CON System can be configured as a standalone or communicating unit linked to our touchscreen PC technology, which has the capability to stop flooding and abuse.

► Accessories & Options

See accessories and available options on page 2.



20" Lavatory Fixture

Part No. 100711

► **Access Type (must select one)**

Rear

► **Lavatory Actuator Cutouts (must select one)**

TruTOUCH® Single Temperature
 TruTOUCH® Dual Temperature

► **Lavatory Waste (1-1/4" OD SS) (must select one)**

1-1/2" NPT Male for Removable Waste
 Elbow; 3" Beyond Rear of Fixture
 Elbow; Custom _____ Inches Beyond Rear of Fixture
 Elbow; 1-1/2" NPT Female to Rear of Fixture
 P-Trap in Cabinet; 3" Beyond Rear of Fixture
 P-Trap in Cabinet; Custom ____ Inches Beyond Rear of Fixture
 P-Trap in Cabinet; 1-1/2" NPT Female to Rear of Fixture

*Note: 1" increments for custom waste (15" MAX)

► **Additional Options (optional)**

Towel Hook: Left Right
 Toothbrush Holder: Left Right
 Integral Tissue Holder: Front Left Right
 Integral Shelf
 Vent Grill Left Right Bottom
 12 Gauge Cabinet
 Lavatory Overflow

Included with Fixture (must select one)

► **Wall Thickness (Standard Mounting Hardware)**

0" to 4" (101594 : 6" : 4 Bolts)
 4" to 8" (101594 : 10" : 4 Bolts)
 8" to 12" (101594 : 14" : 4 Bolts)

Our Experts Recommend (sold separately)

► **Lavatory Bubbler**

Penal Bubbler (100361 : w/o Mthgrd : Bub Only)
 Penal Bubbler Kit (100361 : w/o Mthgrd : Bub Kit)
 Penal Bubbler with Mouthguard Kit (100361 : w/ Mthgrd : Bub Kit)
 Ligature Resistant Bubbler (100362 : Bub Only)
 Ligature Resistant Bubbler Kit (100362 : Bub Kit)

► **Removable Waste Options**

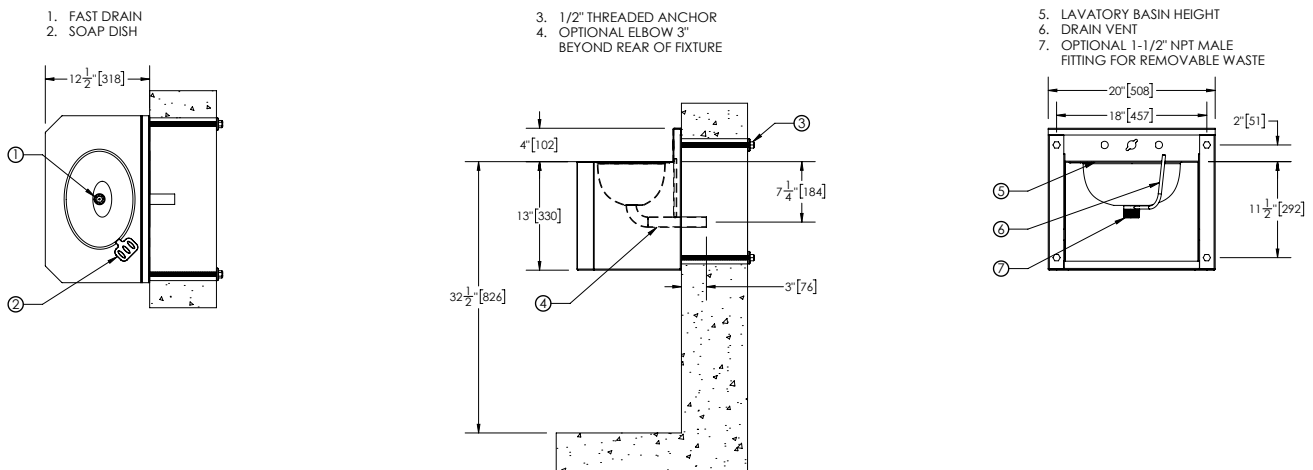
(only available when 1-1/2" NPT Male Fitting for Removable Waste Option is selected)

P-Trap in Cabinet, Cast Brass with Plug, Removable (101592)
 Thru-Wall Connection with P-Trap (101593)
 Removable 90° Cast Brass Elbow (101907)

► **Wall Sleeve & Wall Template**

Wall Sleeve (102673 Series)
See Wall Sleeve Submittal to Order
 Wall Template (102849)
See Wall Template Submittal to Order

Note: If any modification is required please contact factory for availability.



WARNING: Cancer and Reproductive Harm - www.P65Warnings.ca.gov
Important: Installation instructions and rough-in are included with each fixture. Do not modify these drawings. Do not rough in with certified dimensions. Dimensions are subject to manufacturer's tolerance of plus or minus 1/4" and change without notice. I-CON assumes no responsibility for use of voided or superseded data.
 © I-CON Systems

Approved for Manufacturing
 Company _____ Quantity _____
 Signature _____ Date _____