

## Front Access 20" Lavatory Fixture



### Specification Guide

- 14-gauge type 304 stainless steel
- Seamlessly welded
- Satin finished surfaces
- Oval lavatory basin with fast drain
- 4" high backsplash
- Air-circulating, self-draining soap dish
- 1-1/2" NPT male fitting for removable waste
- 4 anchoring locations
- Removable bottom panel secured with tamper-resistant fasteners

Part No. 100711 : AF

Fixture may be featured with available options.

### ► Description

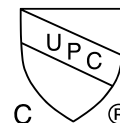
I-CON lavatories are seamlessly welded 14-gauge type 304 stainless steel. Exposed surfaces have satin finishes. The fixture does not require a wall opening and chase area for installation and maintenance. The lavatory is furnished with an oval basin, integral strainer, 4" high backsplash, and an air-circulating, self-draining soap dish. Exposed fasteners are tamper-resistant stainless steel.

### ► Recommended I-CON Intelligent Control System

The system includes low voltage, water-resistant controllers; waterproof stainless steel actuators; and direct-acting solenoid valves with no diaphragms. The I-CON manifold lavatory valve allows for one (1) hot and cold water supply for up to four (4) lavatories. Its advanced design allows for 0.5 GPM without a rubber flow restrictor. The I-CON System can be configured as a standalone or communicating unit linked to our touchscreen PC technology, which has the capability to stop flooding and abuse.

### ► Accessories & Options

See accessories and available options on page 2.



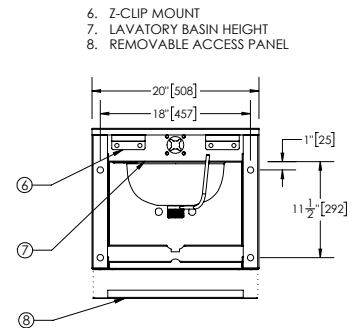
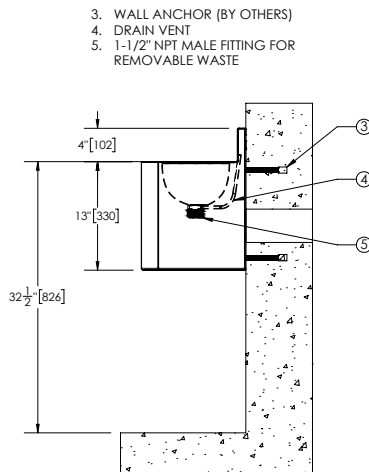
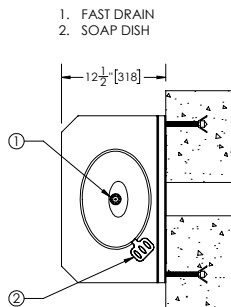
# Front Access 20" Lavatory Fixture

- ▶ **Access Type (must select one)**
  - Front
- ▶ **Lavatory Button Cutout (must select one)**
  - TruTOUCH® Single Temperature
  - TruTOUCH® Dual Temperature
- ▶ **Lavatory Waste (must select one)**
  - 1-1/2" NPT Male Fitting for Removable Waste
- ▶ **Additional Options (optional)**
  - Towel Hook:  Left  Right
  - Toothbrush Holder:  Left  Right
  - Integral Tissue Holder:  Front  Left  Right
  - Integral Shelf
  - Vent Grill  Left  Right  Bottom
  - 12 Gauge Cabinet
  - Lavatory Overflow

## Our Experts Recommend (sold separately)

- ▶ **Lavatory Bubbler**
  - Penal Bubbler (100361 : w/o Mthgrd : Bub Only)
  - Penal Bubbler Kit (100361 : w/o Mthgrd : Bub Kit)
  - Penal Bubbler with Mouthguard Kit (100361 : w/ Mthgrd : Bub Kit)
  - Ligature Resistant Bubbler (100362 : Bub Only)
  - Ligature Resistant Bubbler Kit (100362 : Bub Kit)
- ▶ **Removable Waste Options**
  - P-Trap in Cabinet, Cast Brass with Plug, Removable (101592)
  - Thru-Wall Connection with P-Trap (101593)
  - Removable 90° Cast Brass Elbow (101907)

Note: If any modification is required please contact factory for availability.



**WARNING:** Cancer and Reproductive Harm - [www.P65Warnings.ca.gov](http://www.P65Warnings.ca.gov)  
**Important:** Installation instructions and rough-in are included with each fixture. Do not modify these drawings. Do not rough in with certified dimensions. Dimensions are subject to manufacturer's tolerance of plus or minus 1/4" and change without notice. I-CON assumes no responsibility for use of voided or superseded data.  
 © I-CON Systems

Approved for Manufacturing

Company \_\_\_\_\_ Quantity \_\_\_\_\_  
 Signature \_\_\_\_\_ Date \_\_\_\_\_