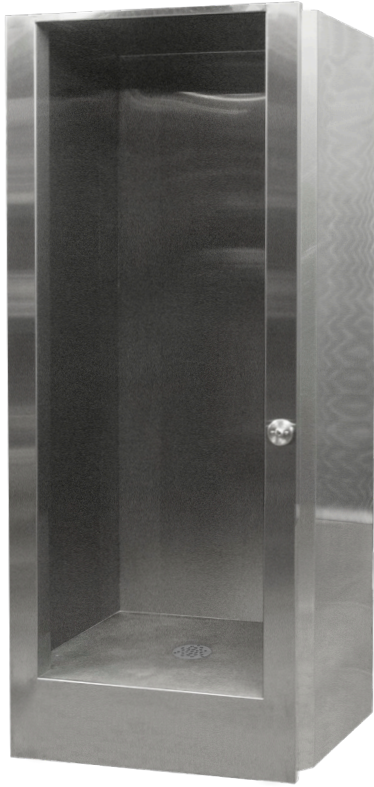


## Knockdown Cabinet Shower - 30 x 30 x 88



Part No. 100715 : KD  
Fixture may be featured with available options.

### Specification Guide

- 14-gauge type 304 stainless steel panels
- 12-gauge type 304 stainless steel floor and floor reinforcements
- Satin finished surfaces
- Slip-resistant shower floor
- Removable strainer secured with tamper-resistant fasteners
- 2-3/8" OD, stainless steel, elbow waste with plain end extended 3" beyond fixture
- 72" showerhead discharge height
- 4 anchoring locations
- Furnished with necessary fasteners for proper mounting

Note: Optional wall sleeve or metal template is recommended for all installations for required wall openings.

### ► Description

I-CON shower cabinets are seamlessly welded 14-gauge type 304 stainless steel. Exposed surfaces have satin finishes with the exception of the matte, slip-resistant floor. Fixture requires a wall opening and chase area for installation and maintenance. Knockdown fixtures utilize a one-piece shower floor receptor. The walls and ceiling are assembled at the job site. Joints and tamper-resistant, stainless steel fasteners are caulked join the components. Shower flooring is reinforced with heavy channels to prevent flexing. Removable strainer is secured with included tamper-resistant fasteners. Exposed fasteners are tamper-resistant stainless steel.

### ► Recommended I-CON Intelligent Control System

The system includes low voltage, water-resistant controllers; waterproof stainless steel actuators; and direct-acting solenoid valves with no diaphragms. The I-CON pre-tempered water manifolds are industrial quality solenoid valves for use with up to four pre-tempered shower fixtures. They are designed to save water and money while allowing for an expandable valve solution: multiple valves can be attached in series to reduce inlet piping requirements. The manifold's solenoids are direct-acting and therefore do not have diaphragms, which are subject to deterioration or clogging.

### ► Accessories & Options

See accessories and available options on page 2.



## Knockdown Cabinet Shower - 30 x 30 x 88

- ▶ **Access Type** (must select one)
  - Rear
- ▶ **Cabinet Type** (must select one)
  - Knockdown
- ▶ **Showerhead Location** (must select one)
  - Left  Right
- ▶ **Chase/Controls Location** (must select one)
  - Back Wall  Left Wall  Right Wall
- ▶ **Shower Actuator Cutouts** (must select one)
  - TruTOUCH® Single Temperature  TruTOUCH® Dual Temperature
- ▶ **Shower Waste** (must select one)
  - Elbow; 3" Beyond Fixture
  - P-Trap; 3" Beyond Fixture
  - Removable No-Caulk Drain
- ▶ **Polish Locations** (optional - check all that apply)
  - Left Polish  Right Polish  Rear Polish
- ▶ **Closure Plate Mounting Locations** (optional - check all that apply)
  - Left Ceiling Closure Support  Right Ceiling Closure Support
  - Front Ceiling Closure Support  Front Left Closure Support
  - Front Right Closure Support
- ▶ **Toiletry Accessories** (optional)
  - Removable Curtain Rod
  - Towel Hook -  Left  Right
  - Recessed Soap Dish
- ▶ **Additional Options** (optional)
  - Sloping Top Cover
  - Vent Grill on Chase Wall
  - Modesty Door -  Left Hinge  Right Hinge

### Included with Fixture (must select one)

- ▶ **Wall Thickness (Standard Mounting Hardware)**
  - 0" to 4" (101594 : 6" : 4 Bolts)
  - 4" to 8" (101594 : 10" : 4 Bolts)
  - 8" to 12" (101594 : 14" : 4 Bolts)

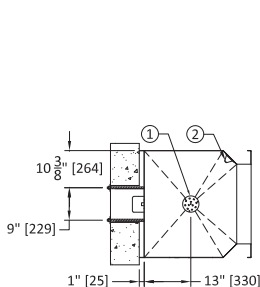
### Our Experts Recommend (sold separately)

- ▶ **Showerhead**
  - 30° Fixed Showerhead Kit (100036 : 30° : SH K0.5)
  - 17.5° Fixed Showerhead Kit (100036 : 17.5° : SH K0.5)
- ▶ **Closure Plates\***
  - Left Ceiling Closure  Right Ceiling Closure
  - Front Ceiling Closure  Front Left Closure
  - Front Right Closure

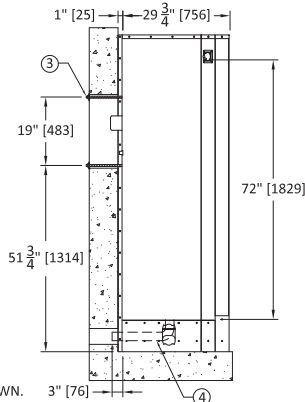
\*Contact Customer Service to Order.
- ▶ **Donut**
  - Fernco 22UX-205
- ▶ **Wall Sleeve & Wall Template**
  - Wall Sleeve: QTY \_\_\_\_\_ Wall Thickness: \_\_\_\_\_
  - Wall Template: QTY \_\_\_\_\_

Note: If any modification is required, please contact factory for availability.

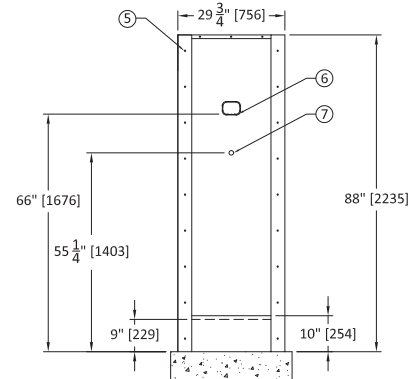
1. DRAIN STRAINER (REMOVABLE)
2. 30° PENAL SHOWER HEAD (SOLD SEPARATELY)
3. 1/2" THREADED ANCHOR



4. OPTIONAL ELBOW 3" BEYOND FIXTURE
5. OPTIONAL CLOSURE PLATE MOUNTING (1/4"-20)\*



6. OPTIONAL RECESSED SOAP DISH
7. I-CON SINGLE TEMP BUTTON CUTOUT



NOTE: RIGHT SHOWER HEAD LOCATION AND BACK WALL CHASE IS SHOWN.  
\*NOTE: CLOSURE PLATES SOLD SEPARATELY. CONTACT CUSTOMER SERVICE.

**WARNING:** Cancer and Reproductive Harm - [www.P65Warnings.ca.gov](http://www.P65Warnings.ca.gov)  
**Important:** Installation instructions and rough-in are included with each fixture. Do not modify these drawings. Do not rough in with certified dimensions. Dimensions are subject to manufacturer's tolerance of plus or minus 1/4" and change without notice. I-CON assumes no responsibility for use of voided or superseded data.  
 © I-CON Systems

Approved for Manufacturing

Company \_\_\_\_\_ Quantity \_\_\_\_\_

Signature \_\_\_\_\_ Date \_\_\_\_\_