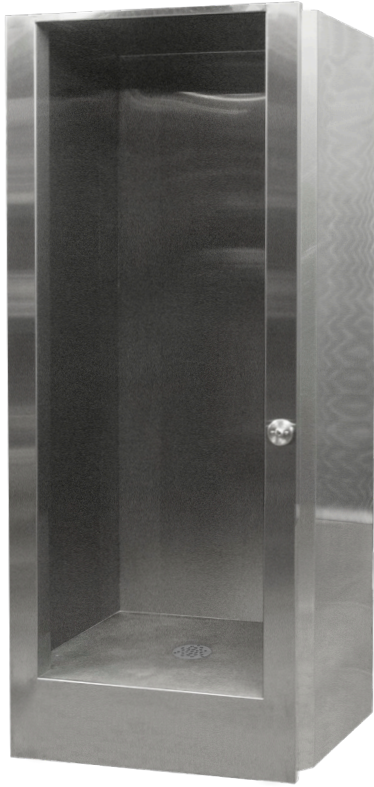


Cabinet Shower - 32 x 32 x 88



Part No. 100716

Fixture may be featured with available options.

Specification Guide

- 14-gauge type 304 stainless steel seamlessly welded construction
- 12-gauge type 304 stainless steel floor and floor reinforcements
- Satin finished surfaces
- Slip resistant shower floor
- Removable strainer secured with tamper resistant fasteners
- 2-3/8" OD, stainless steel, elbow waste with plain end extended 3" beyond fixture
- 72" showerhead discharge height
- 4 anchoring locations
- Furnished with necessary fasteners for proper mounting

Note: Optional wall sleeve or metal template is recommended for all installations for required wall openings.

► Description

I-CON shower cabinets are seamlessly welded 14-gauge type 304 stainless steel. Exposed surfaces have satin finishes with the exception of the matte, slip-resistant floor. The fixture requires a wall opening and chase area for installation and maintenance. One-piece showers are continuously welded to form a one-piece, leak-proof enclosure. Knockdown fixtures utilize a one-piece shower floor receptor. The walls and ceiling are assembled at the job site. Joints and tamper-resistant, stainless steel fasteners are caulked join the components. Shower flooring is reinforced with heavy channels to prevent flexing. Removable strainer is secured with included tamper-resistant fasteners. Exposed fasteners are tamper-resistant stainless steel.

► Recommended I-CON Intelligent Control System

The system includes low voltage, water-resistant controllers; waterproof stainless steel actuators; and direct-acting solenoid valves with no diaphragms. The I-CON pre-tempered water manifolds are industrial quality solenoid valves for use with up to four pre-tempered shower fixtures. They are designed to save water and money while allowing for an expandable valve solution: multiple valves can be attached in series to reduce inlet piping requirements. The manifold's solenoids are direct-acting and therefore do not have diaphragms, which are subject to deterioration or clogging.

► Accessories & Options

See accessories and available options on page 2.



Cabinet Shower - 32 x 32 x 88

Part No. 100716

- ▶ **Access Type (must select one)**
 Rear
- ▶ **Cabinet Type (must select one)**
 One-Piece
- ▶ **Showerhead Location (must select one)**
 Left Right
- ▶ **Chase/Controls Location (must select one)**
 Back Wall Left Wall Right Wall
- ▶ **Shower Actuator Cutouts (must select one)**
 TruTOUCH® Single Temperature TruTOUCH® Dual Temperature
- ▶ **Shower Waste (must select one)**
 Elbow; 3" Beyond Fixture
 P-Trap; 3" Beyond Fixture
 Removable No-Caulk Drain
- ▶ **Polish Locations (optional - check all that apply)**
 Left Polish Right Polish Rear Polish
- ▶ **Closure Plate Mounting Locations (optional - check all that apply)**
 Left Ceiling Closure Support Right Ceiling Closure Support
 Front Ceiling Closure Support Front Left Closure Support
 Front Right Closure Support
- ▶ **Toiletry Accessories (optional)**
 Removable Curtain Rod
 Towel Hook - Left Right
 Recessed Soap Dish

- ▶ **Additional Options (optional)**
 Sloping Top Cover
 Vent Grill on Chase Wall
 Modesty Door - Left Hinge Right Hinge

Included with Fixture (must select one)

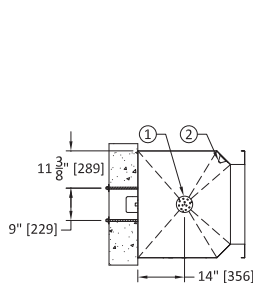
- ▶ **Wall Thickness (Standard Mounting Hardware)**
 0" to 4" (101594 : 6" : 4 Bolts)
 4" to 8" (101594 : 10" : 4 Bolts)
 8" to 12" (101594 : 14" : 4 Bolts)

Our Experts Recommend (sold separately)

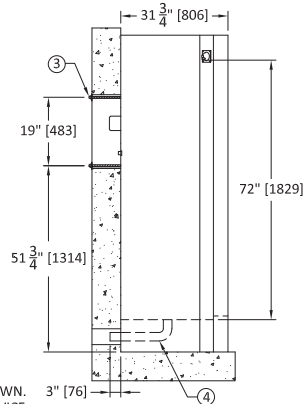
- ▶ **Showerhead**
 30° Fixed Showerhead Kit (100036 : 30° : SH K0.5)
 17.5° Fixed Showerhead Kit (100036 : 17.5° : SH K0.5)
- ▶ **Closure Plates***
 Left Ceiling Closure Right Ceiling Closure
 Front Ceiling Closure Front Left Closure
 Front Right Closure
*Contact Customer Service to Order.
- ▶ **Donut**
 Fernco 22UX-205
- ▶ **Wall Sleeve & Wall Template**
 Wall Sleeve: QTY _____ Wall Thickness: _____
 Wall Template: QTY _____

Note: If any modification is required, please contact factory for availability.

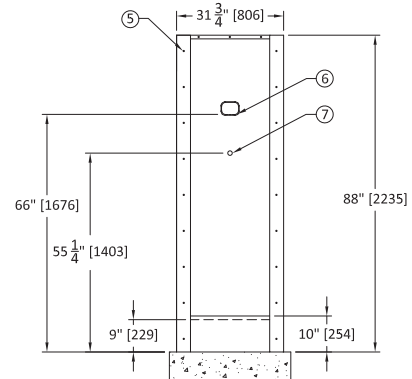
1. DRAIN STRAINER (REMOVABLE)
2. 30° PENAL SHOWER HEAD (SOLD SEPARATELY)
3. 1/2" THREADED ANCHOR



4. OPTIONAL ELBOW 3" BEYOND FIXTURE
5. OPTIONAL CLOSURE PLATE MOUNTING (1/2"-20)*



6. OPTIONAL RECESSED SOAP DISH
7. TruTOUCH® SINGLE TEMP ACTUATOR CUTOUT



NOTE: RIGHT SHOWER HEAD LOCATION AND BACK WALL CHASE IS SHOWN.
*NOTE: CLOSURE PLATES SOLD SEPARATELY. CONTACT CUSTOMER SERVICE.

WARNING: Cancer and Reproductive Harm - www.P65Warnings.ca.gov
Important: Installation instructions and rough-in are included with each fixture. Do not modify these drawings. Do not rough in with certified dimensions. Dimensions are subject to manufacturer's tolerance of plus or minus 1/4" and change without notice. I-CON assumes no responsibility for use of voided or superseded data.
© I-CON Systems

Approved for Manufacturing

Company _____ Quantity _____
Signature _____ Date _____