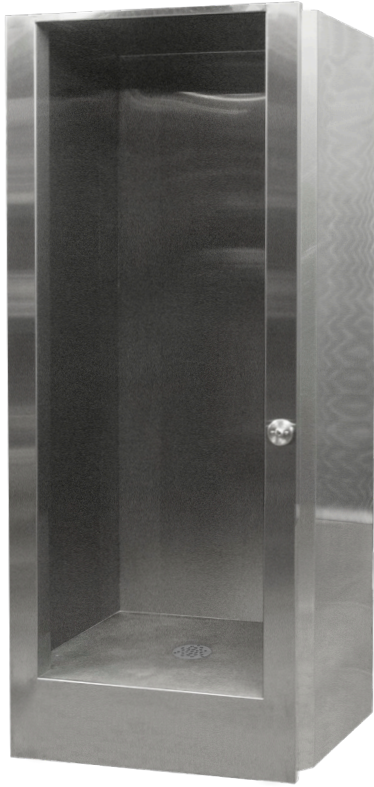


Front Access Cabinet Shower - 32 x 32 x 88



Part No. 100716 : AF

Fixture may be featured with available options.

Specification Guide

- 14-gauge type 304 stainless steel, seamlessly welded
- 12-gauge type 304 stainless steel floor and floor reinforcements
- Satin finished surfaces
- Slip-resistant shower floor
- Removable strainer secured with tamper-resistant fasteners
- 2-3/8" OD, stainless steel, removable, no-caulk drain
- 72" showerhead discharge height
- 4 anchoring locations

► Description

I-CON shower cabinets are seamlessly welded 14-gauge type 304 stainless steel. Exposed surfaces have satin finishes with the exception of the matte, slip-resistant floor. The fixture does not require a wall opening and chase area for installation and maintenance. One-piece showers are continuously welded to form a one-piece, leak-proof enclosure. Knockdown fixtures utilize a one-piece shower floor receptor. The walls and ceiling are assembled at the job site. Joints and tamper-resistant, stainless steel fasteners are caulked join the components. Shower flooring is reinforced with heavy channels to prevent flexing. Removable strainer is secured with included tamper-resistant fasteners. Exposed fasteners are tamper-resistant stainless steel.

► Recommended I-CON Intelligent Control System

The system includes low voltage, water-resistant controllers; waterproof stainless steel actuators; and direct-acting solenoid valves with no diaphragms. The I-CON pre-tempered water manifolds are industrial quality solenoid valves for use with up to four pre-tempered shower fixtures. They are designed to save water and money while allowing for an expandable valve solution: multiple valves can be attached in series to reduce inlet piping requirements. The manifold's solenoids are direct-acting and therefore do not have diaphragms, which are subject to deterioration or clogging.

► Accessories & Options

See accessories and available options on page 2.



Front Access Cabinet Shower - 32 x 32 x 88

- ▶ **Access Type** (must select one)
 - Front
- ▶ **Cabinet Type** (must select one)
 - One-Piece
- ▶ **Showerhead Location** (must select one)
 - Left Right
- ▶ **Chase/Controls Location** (must select one)
 - Back Wall Left Wall Right Wall
- ▶ **Shower Actuator Cutouts** (must select one)
 - TruTOUCH® Single Temperature TruTOUCH® Dual Temperature
- ▶ **Shower Waste** (must select one)
 - Removable No-Caulk Drain
- ▶ **Polish Locations** (optional - check all that apply)
 - Left Polish Right Polish Rear Polish
- ▶ **Closure Plate Mounting Locations** (optional - check all that apply)
 - Left Ceiling Closure Support Right Ceiling Closure Support
 - Front Ceiling Closure Support Front Left Closure Support
 - Front Right Closure Support
- ▶ **Toiletry Accessories** (optional)
 - Removable Curtain Rod
 - Towel Hook - Left Right
 - Recessed Soap Dish

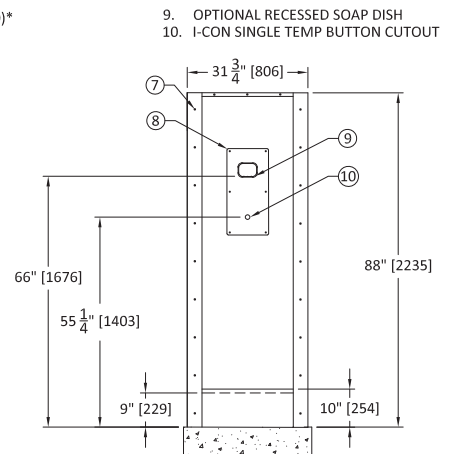
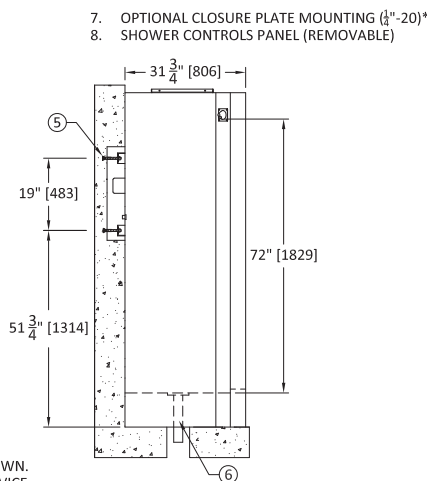
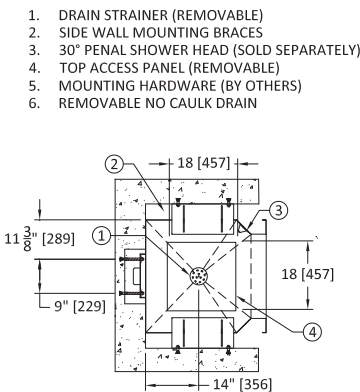
- ▶ **Additional Options** (optional)
 - Sloping Top Cover
 - Vent Grill on Chase Wall
 - Modesty Door - Left Hinge Right Hinge

Our Experts Recommend (sold separately)

- ▶ **Showerhead**
 - 30° Fixed Showerhead Kit (100036 : 30° : SH K0.5)
 - 17.5° Fixed Showerhead Kit (100036 : 17.5° : SH K0.5)
- ▶ **Closure Plates***
 - Left Ceiling Closure Right Ceiling Closure
 - Front Ceiling Closure Front Left Closure
 - Front Right Closure

*Contact Customer Service to Order.
- ▶ **Donut**
 - Fernco 22UX-205

Note: If any modification is required, please contact factory for availability.



NOTE: RIGHT SHOWER HEAD LOCATION AND BACK WALL CHASE IS SHOWN.
 *NOTE: CLOSURE PLATES SOLD SEPARATELY. CONTACT CUSTOMER SERVICE.

WARNING: Cancer and Reproductive Harm - www.P65Warnings.ca.gov
Important: Installation instructions and rough-in are included with each fixture. Do not modify these drawings. Do not rough in with certified dimensions. Dimensions are subject to manufacturer's tolerance of plus or minus 1/4" and change without notice. I-CON assumes no responsibility for use of voided or superseded data.
 © I-CON Systems

Approved for Manufacturing

Company _____ Quantity _____
 Signature _____ Date _____