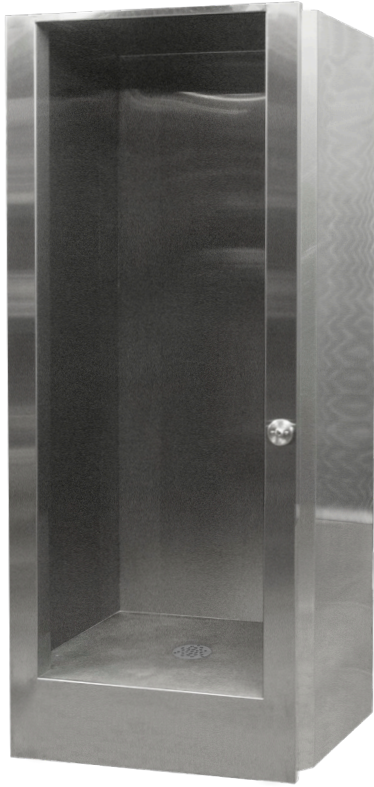


Front Access Cabinet Shower - 36 x 36 x 88



Part No. 100717 : AF

Fixture may be featured with available options.

Specification Guide

- 14-gauge type 304 stainless steel seamlessly welded construction
- 12-gauge type 304 stainless steel floor and floor reinforcements
- Satin finished surfaces
- Slip resistant shower floor
- Removable strainer secured with tamper resistant fasteners
- 2-3/8" OD stainless steel removable no-caulk drain
- Showerheads at 72" discharge height
- 4 anchoring locations

► Description

I-CON shower cabinets are fabricated using 14-gauge type 304 stainless steel seamlessly welded construction. Exposed surfaces are satin finished with exception to the matte finished slip resistant floor. Fixture does not require wall opening and chase area for installation and maintenance. One piece showers are continuously welded to form a one piece leak proof enclosure. Knockdown fixtures utilize a one piece shower floor receptor; walls and ceiling are assembled at the job site using caulking to seal the joints and tamper resistant stainless steel fasteners to join the components. Shower flooring is reinforced with heavy channels to prevent flexing. Removable strainer secured with tamper resistant fasteners included. Exposed fasteners are tamper resistant, stainless steel.

► Recommended I-CON Intelligent Control System

The system includes low voltage, water-resistant controllers; waterproof stainless steel actuators; and direct-acting solenoid valves with no diaphragms. The I-CON pre-tempered water manifolds are industrial quality solenoid valves for use with up to four pre-tempered shower fixtures. They are designed to save water and money while allowing for an expandable valve solution: multiple valves can be attached in series to reduce inlet piping requirements. The manifold's solenoids are direct-acting and therefore do not have diaphragms, which are subject to deterioration or clogging.

► Accessories & Options

See accessories and available options on page 2.



Front Access Cabinet Shower - 36 x 36 x 88

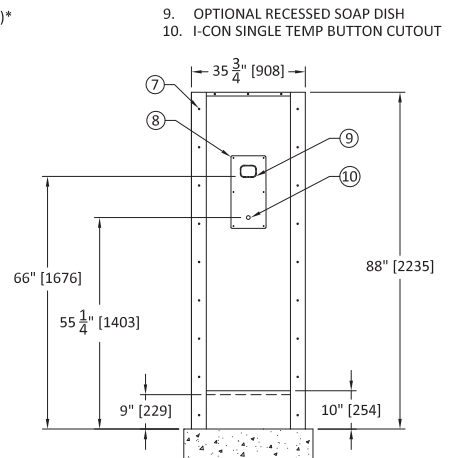
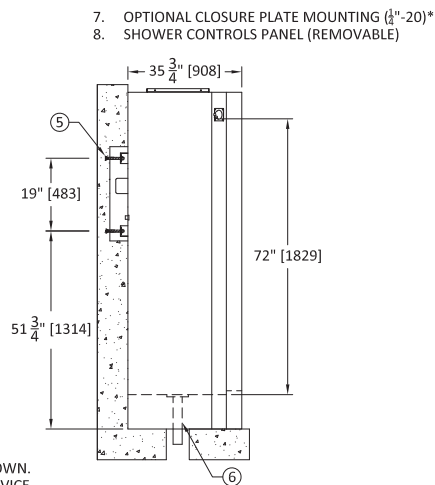
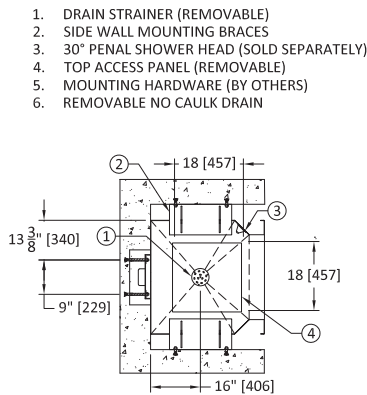
- ▶ **Access Type** (must select one)
 - Front
- ▶ **Cabinet Type** (must select one)
 - One Piece
- ▶ **Showerhead Location** (must select one)
 - Left Right
- ▶ **Chase/Controls Location** (must select one)
 - Back Wall Left Wall Right Wall
- ▶ **Shower Actuator Cutouts** (must select one)
 - TruTOUCH® Single Temperature TruTOUCH® Dual Temperature
- ▶ **Shower Waste** (must select one)
 - Removable No-Caulk Drain
- ▶ **Polish Locations** (optional - check all that apply)
 - Left Polish Right Polish Rear Polish
- ▶ **Closure Plate Mounting Locations** (optional - check all that apply)
 - Left Ceiling Closure Support Right Ceiling Closure Support
 - Front Ceiling Closure Support Front Left Closure Support
 - Front Right Closure Support
- ▶ **Toiletry Accessories** (optional)
 - Removable Curtain Rod
 - Towel Hook - Left Right
 - Recessed Soap Dish

- ▶ **Additional Options** (optional)
 - Sloping Top Cover
 - Vent Grill on Chase Wall
 - Modesty Door - Left Hinge Right Hinge

Our Experts Recommend (sold separately)

- ▶ **Showerhead**
 - 30° Fixed Showerhead Kit (100036 : 30° : SH K0.5)
 - 17.5° Fixed Showerhead Kit (100036 : 17.5° : SH K0.5)
- ▶ **Closure Plates***
 - Left Ceiling Closure Right Ceiling Closure
 - Front Ceiling Closure Front Left Closure
 - Front Right Closure
- *Contact Customer Service to Order.
- ▶ **Donut**
 - Fernco 22UX-205

Note: If any modification is required, please contact factory for availability.



NOTE: RIGHT SHOWER HEAD LOCATION AND BACK WALL CHASE IS SHOWN.
*NOTE: CLOSURE PLATES SOLD SEPARATELY. CONTACT CUSTOMER SERVICE.

WARNING: Cancer and Reproductive Harm - www.P65Warnings.ca.gov
Important: Installation instructions and rough-in are included with each fixture. Do not modify these drawings. Do not rough in with certified dimensions. Dimensions are subject to manufacturer's tolerance of plus or minus 1/4" and change without notice. I-CON assumes no responsibility for use of voided or superseded data.
 © I-CON Systems

Approved for Manufacturing

Company _____ Quantity _____
 Signature _____ Date _____