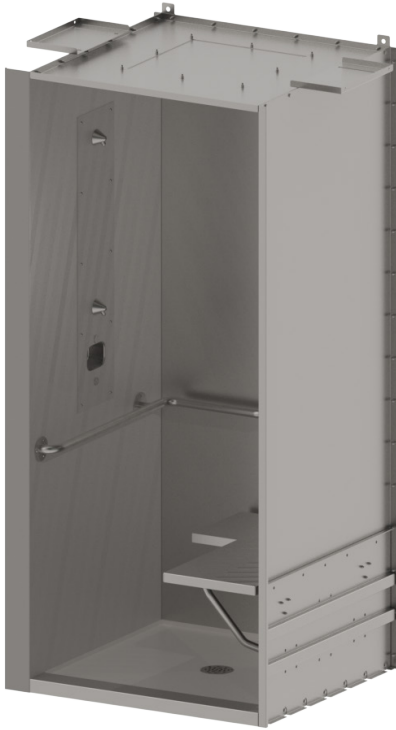


Front Access ADA Knockdown Cabinet Shower



Specification Guide

- 14-gauge type 304 stainless steel panels
- 12-gauge type 304 stainless steel floor and floor reinforcements
- Satin finished surfaces
- Slip resistant shower floor
- Removable strainer secured with tamper resistant fasteners
- 2-3/8" OD stainless steel removable no-caulk drain
- Showerheads at 48" and 72" discharge height
- ADA stainless steel folding seat
- Horizontal 33" x 18" grab bar
- Recessed soap dish
- 2 anchoring locations

Part No. 100719 : AF : KD

Fixture may be featured with available options.

► Description

I-CON Shower Cabinets are fabricated using 14-gauge type 304 stainless steel seamlessly welded construction. Exposed surfaces are satin finished with exception to the matte finished slip resistant floor. Fixture does not require wall opening and chase area for installation and maintenance. Knockdown fixtures utilize a one piece shower floor receptor; walls and ceiling are assembled at the job site using caulking to seal the joints and tamper resistant stainless steel fasteners to join the components. The shower is designed to recess 1-1/2" into the floor. A folding shower seat, safety grab bar and a recessed soap dish are provided and mounted at ADA prescribed locations. Shower flooring is reinforced with heavy channels to prevent flexing. Exposed fasteners are tamper resistant, stainless steel.

► Recommended I-CON Intelligent Control System

The system includes low voltage, water-resistant controllers; waterproof stainless steel actuators; and direct-acting solenoid valves with no diaphragms. The I-CON pre-tempered water manifolds are industrial quality solenoid valves for use with up to four pre-tempered shower fixtures. They are designed to save water and money while allowing for an expandable valve solution: multiple valves can be attached in series to reduce inlet piping requirements. The manifold's solenoids are direct-acting and therefore do not have diaphragms, which are subject to deterioration or clogging.

► Accessories & Options

See accessories and available options on page 2.



Front Access ADA Knockdown Cabinet Shower

- ▶ **Access Type (must select one)**
 Front
- ▶ **Cabinet Type (must select one)**
 Knockdown
- ▶ **Chase/Controls Location (must select one)**
 Left Wall Right Wall
- ▶ **Shower Actuator Cutouts (must select one)**
 TruTOUCH® Single Temperature TruTOUCH® Dual Temperature
- ▶ **Lower Showerhead Cutout**
 Cutout for I-CON Fixed Showerhead
 Cutout for Shower Wand
- ▶ **Shower Waste (must select one)**
 Removable No-Caulk Drain
- ▶ **Seat**
 Folding Seat
 Fixed Seat (Does not meet ADA Requirements)
 No Seat (Does not meet ADA Requirements)
- ▶ **Horizontal Grab Bar (must select one)**
 Horizontal Grab Bar
 Horizontal Grab Bar with Closure Plate
 No Horizontal Grab Bar (Does not meet ADA Requirements)
- ▶ **Vertical Grab Bar (optional)**
 24" Vertical Grab Bar
 24" Vertical Grab Bar with Closure Plate
 No Vertical Grab Bar (Does not meet ADA Requirements)
- ▶ **Polish Locations (optional - check all that apply)**
 Left Polish Right Polish Rear Polish
- ▶ **Closure Plate Mounting Locations (optional - check all that apply)**
 Left Ceiling Closure Support Right Ceiling Closure Support
 Front Ceiling Closure Support Front Left Closure Support
 Front Right Closure Support
- ▶ **Toiletry Accessories (optional)**
 Removable Curtain Rod
 Towel Hook
 Recessed Soap Dish

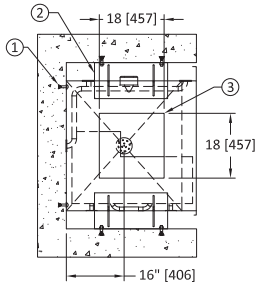
- ▶ **Additional Options (optional)**
 Sloping Top Cover
 Vent Grill on Chase Wall
 Modesty Door - Left Hinge Right Hinge

Our Experts Recommend (sold separately)

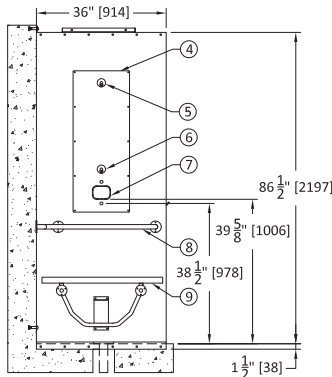
- ▶ **Upper Showerhead**
 30° Fixed Showerhead Kit (100036 : 30° : SH K0.5)
 17.5° Fixed Showerhead Kit (100036 : 17.5° : SH K0.5)
 - ▶ **Lower Showerhead**
 30° Fixed Showerhead Kit (100036 : 30° : SH K0.5)
 17.5° Fixed Showerhead Kit (100036 : 17.5° : SH K0.5)
 Hand Wand Shower Kit (100485 : SW Kit)
 - ▶ **Closure Plates***
 Left Ceiling Closure Right Ceiling Closure
 Front Ceiling Closure Front Left Closure
 Front Right Closure
- *Contact Customer Service to Order.
- ▶ **Donut**
 Fernco 22UX-205

Note: If any modification is required, please contact factory for availability.

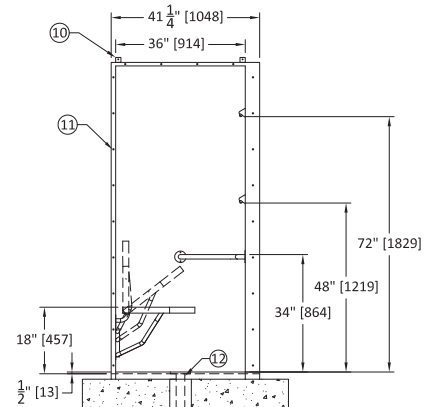
1. WALL ANCHOR (BY OTHERS)
2. SIDE WALL MOUNTING BRACES
3. TOP ACCESS PANEL (REMOVABLE)
4. REMOVABLE SHOWER CONTROLS PANEL
5. 30° FIXED SHOWER HEAD AT STANDARD HEIGHT (SOLD SEPARATELY)
6. 30° FIXED SHOWER HEAD AT ADA HEIGHT (SOLD SEPARATELY)



7. OPTIONAL RECESSED SOAP DISH
8. OPTIONAL GRAB BAR
9. OPTIONAL FOLDING SEAT
10. STAINLESS STEEL MOUNTING TAB



11. OPTIONAL CLOSURE PLATE MOUNTING (3/4"-20)
12. REMOVABLE NO CAULK DRAIN



NOTE: CLOSURE PLATES SOLD SEPARATELY. CONTACT CUSTOMER SERVICE.

WARNING: Cancer and Reproductive Harm - www.P65Warnings.ca.gov
Important: Installation instructions and rough-in are included with each fixture. Do not modify these drawings. Do not rough in with certified dimensions. Dimensions are subject to manufacturer's tolerance of plus or minus 1/4" and change without notice. I-CON assumes no responsibility for use of voided or superseded data.
 © I-CON Systems

Approved for Manufacturing

Company _____ Quantity _____
 Signature _____ Date _____