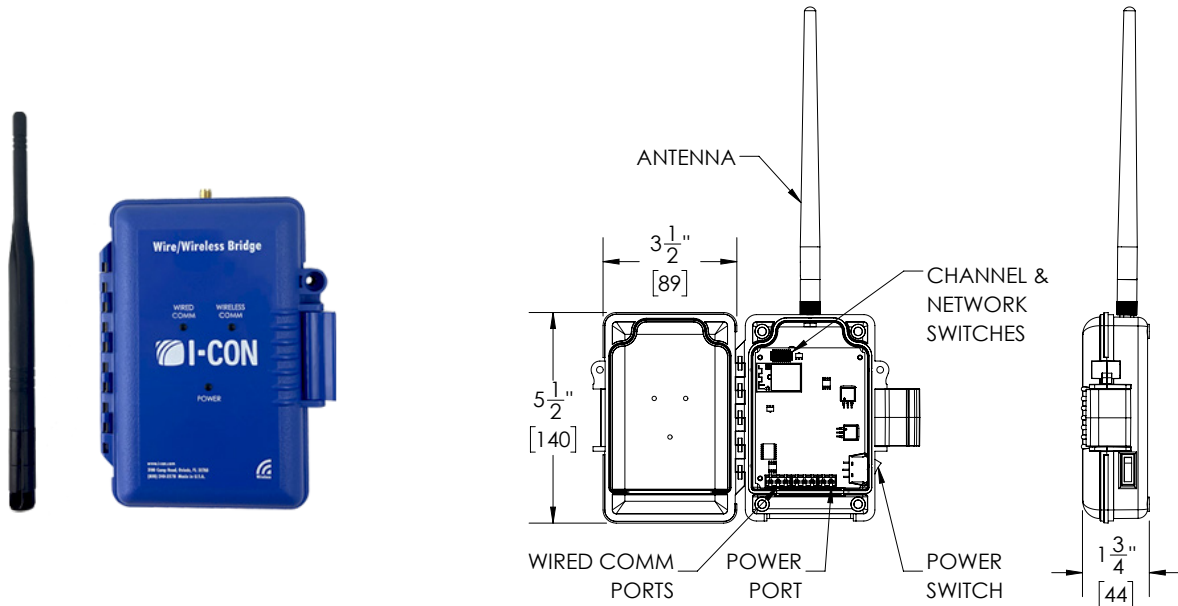


## ENVISAGE® Communication Bridge



Part No. 100957

### ► Description

Wireless and Wired ENVISAGE® Communication Bridge.

### ► Features

- 24VAC Powered
- LED indication of communication status
- ENVISAGE® networks can be formed with a combination of wired and wireless technologies
- Operates in the 2.4GHz frequency band
- Secure government strength AES encryption
- Automatic network formation
- Multiple networks can be created without interfering with each other
- Will not interfere with other wireless systems such as Wi-Fi or 2-way radios

### ► Accessories

See Accessories Section of the I-CON catalog or contact our Customer Service Team for details.



### Recommended Specification

**I-CON 100957 Wireless and Wired ENVISAGE® Communication Bridge** converts wireless ENVISAGE® signals into wired signals as well as wired signals to wireless signals. Communication bridges allow ENVISAGE® networks to take advantage of the benefits of both wireless and wired communication.

 **WARNING:** Cancer and Reproductive Harm - [www.P65Warnings.ca.gov](http://www.P65Warnings.ca.gov)

This space is for Architect/Engineer approval

The information contained in this document is subject to change without notice.