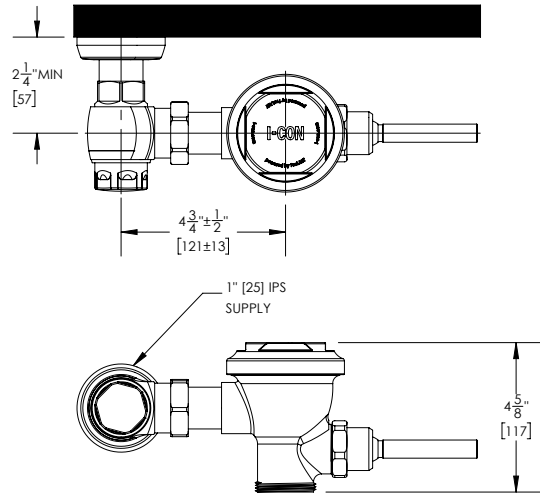


COBALT® Exposed Manual Flush Valve



Part No. 101105 : 3005

► Description

COBALT® Exposed Manual Flush Valve for Water Closets and Urinals; Less Vacuum Breaker

► Features

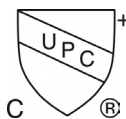
- Patented ProLAST® T-Seal, featuring a single-piece design, glass-reinforced polymer substrate with TPE overmolded seals
- Integral, stainless steel bypass filter
- TPE overmolded seals are chlorine and chloramine resistant to prevent failure in the worst water conditions
- Dynamic sealing design provides accurate and consistent flush performance over time
- No external flush volume adjustment
- ADA compliant, non-hold open handle
- Adjustable tailpiece allows for variations in rough-in
- Screwdriver adjustable, backflow-preventing control stop with vandal-resistant cap
- Sweat solder kit includes a threaded adapter, cover tube, and wall escutcheon

► Control Stop

- 1" I.P.S. Control Stop and Sweat Solder Kit
- 3/4" I.P.S. Control Stop and Sweat Solder Kit (Urinals Only)

► Accessories

For additional accessories, see the Accessories Section of the I-CON catalog or contact our Customer Service Team for details.



Certified by IAPMO R&T

► Flush Volume (must select one)

Urinal Flush Volume

- 0.125 gpf / 0.5 Lpf
- 0.25 gpf / 1.0 Lpf+
- 0.5 gpf / 1.9 Lpf*+
- 1.0 gpf / 3.8 Lpf+

Water Closet Flush Volume

- 1.1 gpf / 4.2 Lpf*+
- 1.28 gpf / 4.8 Lpf*+
- 1.6 gpf / 6.0 Lpf+
- 2.4 gpf / 9.0 Lpf
- 3.5 gpf / 13.2 Lpf

Recommended Specification

I-CON COBALT® 101105 3005 Exposed Manual Flush Valve is a manually operated, dynamic sealing exposed flush valve for water closets and urinals. The cast brass valve body has a polished, chrome-plated finish. It utilizes the I-CON patented ProLAST® T-Seal, featuring a single-piece design, glass-reinforced polymer substrate with TPE overmolded seals, and a stainless steel, integral bypass filter. It is ADA compliant with a non-hold open handle. It includes a backflow-preventing control stop with a vandal-resistant stop cap and a sweat solder kit containing a threaded adapter, cover tube, and wall escutcheon.

* This product should be used with a WaterSense labeled counterpart with a compatible flow volume to ensure that the entire system meets the requirements for water efficiency and performance.

⚠ WARNING: Cancer and Reproductive Harm - www.P65Warnings.ca.gov

This space is for Architect/Engineer approval

The information contained in this document is subject to change without notice.