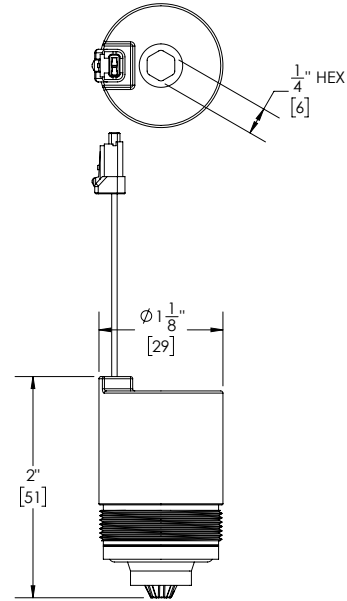


## 1000 Series Solenoid



Part No. 101160

### ► **Description**

1000 Series Solenoid DC with 3-5/8" Lead & DF62W Connector.

### ► **Features**

- DC latching solenoid
- 3-5/8" lead & DF62W connector
- Chlorine and chloramine resistant materials
- Max temperature - 120° F
- Operation pressure - 0 - 100psi

### Recommended Specification

**1000 Series Solenoid 101060** is a DC latching solenoid made from chemical resistant materials. The solenoid utilizes a 3-5/8" lead with a DF62W connector. The solenoid operates at a range from 0 to 100psi and at temperatures up to 120°F.

 **WARNING:** Cancer and Reproductive Harm - [www.P65Warnings.ca.gov](http://www.P65Warnings.ca.gov)

This space is for Architect/Engineer approval

### ► **Accessories**

See Accessories Section of the I-CON catalog or contact our Customer Service Team for details.



The information contained in this document is subject to change without notice.