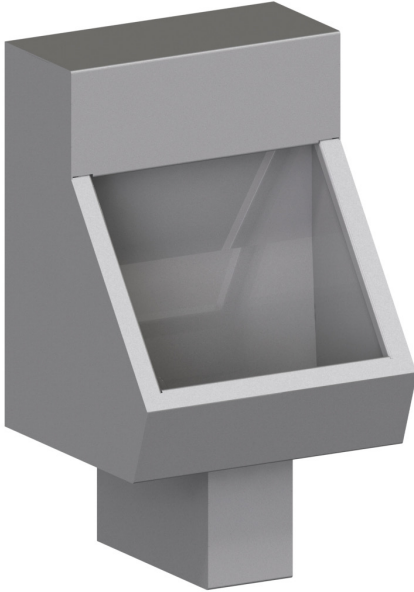


## Blowout Urinal



Part No. 101309

Fixture may be featured with available options.

### Specification Guide

- 14-gauge type 304 stainless steel
- Seamlessly welded
- Satin finished surfaces
- Blowout flushing action with self-draining, flushing rim
- Wall supply flush connection is 1-1/2" NPT female
- Top supply flush connection is 1-1/2" NPT male
- 2" OD, stainless steel P-trap with 2" NPT female fitting
- Vandal-resistant, P-trap enclosure
- 4 anchoring locations
- Furnished with necessary fasteners for proper mounting.

Note: Optional wall sleeve or metal template is recommended for all installations with required wall openings.

### ► Description

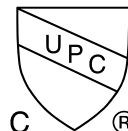
I-CON urinals are seamlessly welded, 14-gauge type 304 stainless steel. Exposed surfaces have satin finishes. The fixture requires a wall opening and chase area for installation and maintenance. Urinal features a washdown flushing action with a self-draining flush rim. The fixture has a vandal-resistant, P-trap enclosure. Exposed fasteners are tamper-resistant stainless steel.

### ► Recommended I-CON Intelligent Control System

The system includes low voltage, water-resistant controllers; waterproof stainless-steel actuators; direct-acting solenoid valves with no diaphragms; and an ASSE-certified flush valve proven to be more reliable and less expensive to maintain than traditional valves. The I-CON System can be configured as a standalone or communicating system, linked to our touchscreen PC technology. Both configurations offer the capability to stop flooding and abuse while managing urinal flushes per hour per fixture, which reduces water usage and sewer costs.

### ► Accessories & Options

See accessories and available options on page 2.



# Blowout Urinal

- ▶ **Access Type (must select one)**
  - Rear
- ▶ **Supply Location (must select one)**
  - Wall Supply  Top Supply
- ▶ **Urinal Waste (must select one)**
  - 2" OD SS P-Trap with 2" NPT Female Fitting
- ▶ **Additional Options**
  - 12 Gauge Cabinet
  - White Powder Coat

### Included with Fixture (must select one)

- ▶ **Wall Thickness (Standard Mounting Hardware)**
  - 0" to 4" (101594 : 6" : 4 Bolts)
  - 4" to 8" (101594 : 10" : 4 Bolts)
  - 8" to 12" (101594 : 14" : 4 Bolts)

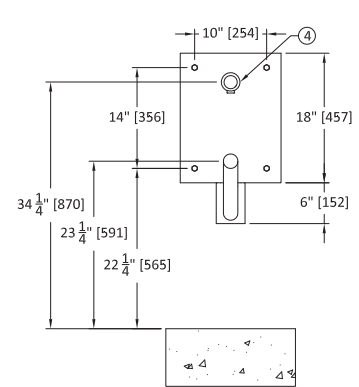
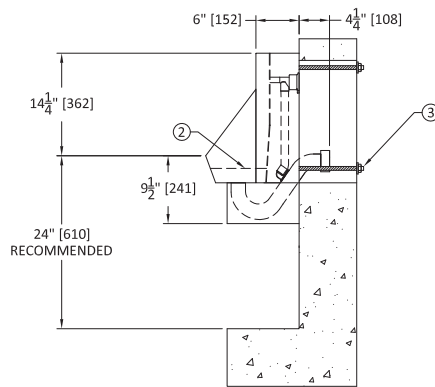
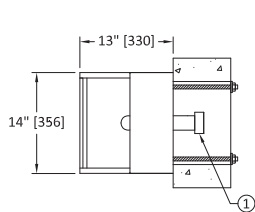
### Our Experts Recommend (sold separately)

- ▶ **Wall Sleeve & Wall Template**
  - Wall Sleeve (102684 Series)  
*See Wall Sleeve Submittal to Order*
  - Wall Template (102837)  
*See Wall Template Submittal to Order*

Note: If any modification is required, please contact factory for availability.

1. 2" OD STAINLESS STEEL P-TRAP WITH 2" NPT FEMALE FITTING
2. STANDING WATER LEVEL

3. 1/2" THREADED ANCHOR
4. 1-1/2" NPT FEMALE SUPPLY INLET



**WARNING:** Cancer and Reproductive Harm - [www.P65Warnings.ca.gov](http://www.P65Warnings.ca.gov)

**Important:** Installation instructions and rough-in are included with each fixture. Do not modify these drawings. Do not rough in with certified dimensions. Dimensions are subject to manufacturer's tolerance of plus or minus 1/4" and change without notice. I-CON assumes no responsibility for use of voided or superseded data.

Approved for Manufacturing

Company \_\_\_\_\_ Quantity \_\_\_\_\_  
Signature \_\_\_\_\_ Date \_\_\_\_\_