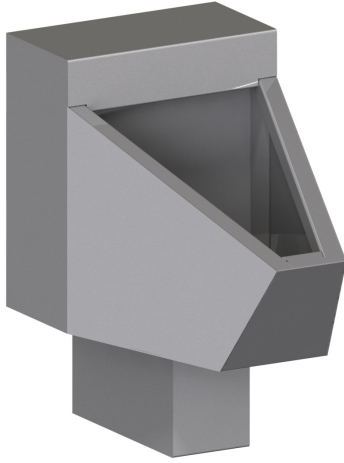


Straddle Blowout Urinal



Specification Guide

- 14-gauge type 304 stainless steel
- Seamlessly welded
- Satin finished surfaces
- Blowout flushing action with self-draining, flushing rim
- Wall supply flush connection is 1-1/2" NPT female
- Top supply flush connection is 1-1/2" NPT male
- 2" OD, stainless steel P-trap with 2" NPT female fitting
- Vandal-resistant, P-trap enclosure
- 4 anchoring locations
- Furnished with necessary fasteners for proper mounting

Part No. 101311

Fixture may be featured with available options.

Note: Optional wall sleeve or metal template is recommended for all installations with required wall openings.

► Description

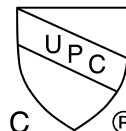
I-CON urinals are seamlessly welded, 14-gauge type 304 stainless steel. Exposed surfaces have satin finishes. The fixture requires a wall opening and chase area for installation and maintenance. Urinal features a blowout flushing action with a self-draining flush rim. The fixture has a vandal-resistant, P-trap enclosure. Exposed fasteners are tamper-resistant stainless steel.

► Recommended I-CON Intelligent Control System

The system includes low voltage, water-resistant controllers; waterproof stainless-steel actuators; direct-acting solenoid valves with no diaphragms; and an ASSE-certified flush valve proven to be more reliable and less expensive to maintain than traditional valves. The I-CON System can be configured as a standalone or communicating system, linked to our touch-screen PC technology. Both configurations offer the capability to stop flooding and abuse while managing urinal flushes per hour per fixture, which reduces water usage and sewer costs.

► Accessories & Options

See accessories and available options on page 2.



Straddle Blowout Urinal

Part No. 101311

- ▶ **Access Type (must select one)**
 - Rear
- ▶ **Supply Location (must select one)**
 - Wall Supply Top Supply
- ▶ **Urinal Waste (must select one)**
 - 2" OD SS P-Trap with 2" NPT Female Fitting
- ▶ **Additional Options**
 - 12 Gauge Cabinet
 - White Powder Coat

Included with Fixture (must select one)

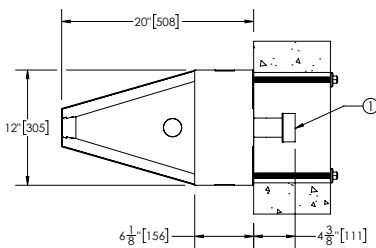
- ▶ **Wall Thickness (Standard Mounting Hardware)**
 - 0" to 4" (101594 : 6" : 4 Bolts)
 - 4" to 8" (101594 : 10" : 4 Bolts)
 - 8" to 12" (101594 : 14" : 4 Bolts)

Our Experts Recommend (sold separately)

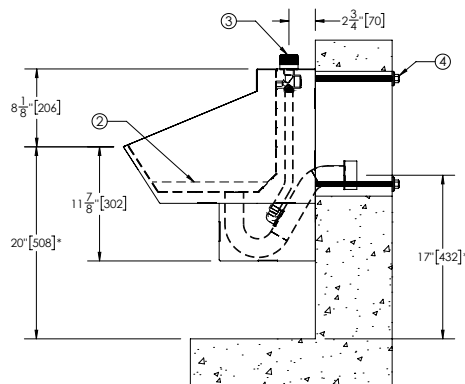
- ▶ **Wall Sleeve & Wall Template**
 - Wall Sleeve (102686 Series)
See Wall Sleeve Submittal to Order
 - Wall Template (102839)
See Wall Template Submittal to Order

Note: If any modification is required, please contact factory for availability.
For ADA installations, dimensions with (*) will need to be decreased by 3".

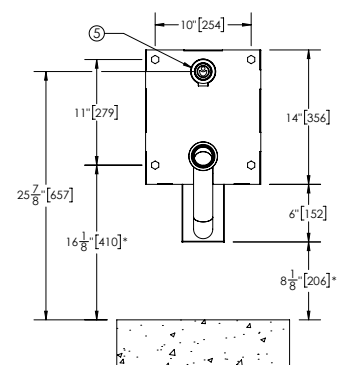
1. 2" OD WELDED P-TRAP WITH 2" NPT FEMALE WASTE FITTING



2. STANDING WATER LEVEL
3. 1-1/2" NPT MALE TOP SUPPLY INLET



4. 1/2" THREADED ANCHOR
5. 1-1/2" NPT FEMALE WALL SUPPLY INLET



WARNING: Cancer and Reproductive Harm - www.P65Warnings.ca.gov
Important: Installation instructions and rough-in are included with each fixture. Do not modify these drawings. Do not rough in with certified dimensions. Dimensions are subject to manufacturer's tolerance of plus or minus 1/4" and change without notice. I-CON assumes no responsibility for use of voided or superseded data.

Approved for Manufacturing

Company _____ Quantity _____
Signature _____ Date _____