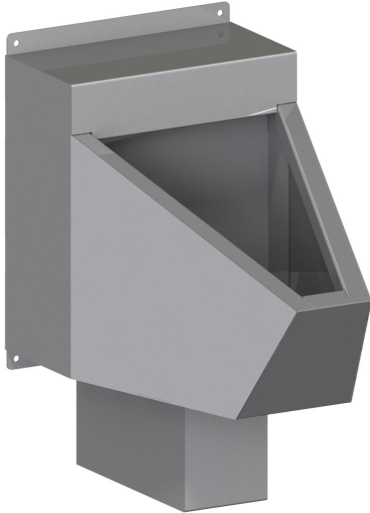


## Front Access Straddle Blowout Urinal



### Specification Guide

- 14-gauge type 304 stainless steel
- Seamlessly welded
- Satin finished surfaces
- Blowout flushing action with self-draining, flushing rim
- Wall supply flush connection is 1-1/2" NPT female
- Top supply flush connection is 1-1/2" NPT male
- 2" OD, stainless steel P-trap with 2" NPT female fitting
- Vandal-resistant, P-trap enclosure
- 4 anchoring locations

Part No. 101311 : AF

Fixture may be featured with available options.

### ► Description

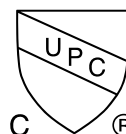
I-CON urinals are seamlessly welded 14-gauge type 304 stainless steel. Exposed surfaces have satin finishes. The fixture does not require a wall opening and chase area for installation and maintenance. Urinal features a blowout flushing action with a self-draining flush rim. The fixture has a vandal-resistant, P-trap enclosure. Exposed fasteners are tamper-resistant stainless steel.

### ► Recommended I-CON Intelligent Control System

The system includes low voltage, water-resistant controllers; waterproof stainless-steel actuators; direct-acting solenoid valves with no diaphragms; and an ASSE-certified flush valve proven to be more reliable and less expensive to maintain than traditional valves. The I-CON System can be configured as a standalone or communicating system, linked to our touch-screen PC technology. Both configurations offer the capability to stop flooding and abuse while managing urinal flushes per hour per fixture, which reduces water usage and sewer costs.

### ► Accessories & Options

See accessories and available options on page 2.



# Front Access Straddle Blowout Urinal

Part No. 101311 : AF

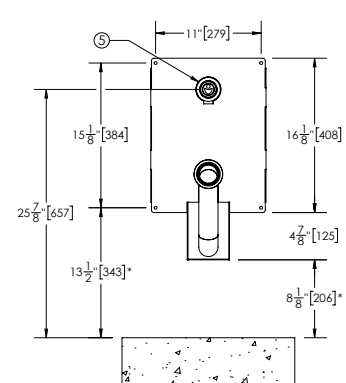
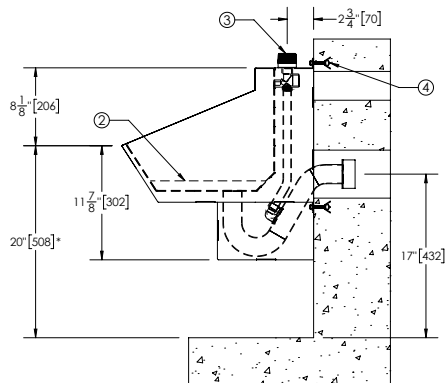
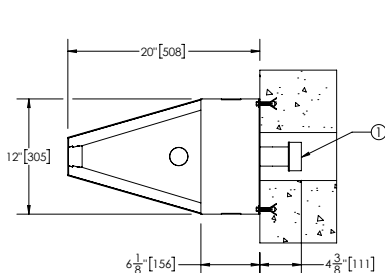
- ▶ **Access Type (must select one)**  
 Front
- ▶ **Supply Location (must select one)**  
 Wall Supply  Top Supply
- ▶ **Urinal Waste (must select one)**  
 2" OD SS P-Trap with 2" NPT Female Fitting
- ▶ **Additional Options**  
 12 Gauge Cabinet  
 White Powder Coat

Note: If any modification is required, please contact factory for availability.  
For ADA installations, dimensions with (\*) will need to be decreased by 3".

1. 2" OD WELDED P-TRAP WITH 2" NPT FEMALE WASTE FITTING

2. STANDING WATER LEVEL  
3. 1-1/2" NPT MALE TOP SUPPLY INLET

4. WALL ANCHOR (BY OTHERS)  
5. 1-1/2" NPT FEMALE WALL SUPPLY INLET



**WARNING:** Cancer and Reproductive Harm - [www.P65Warnings.ca.gov](http://www.P65Warnings.ca.gov)  
**Important:** Installation instructions and rough-in are included with each fixture. Do not modify these drawings. Do not rough in with certified dimensions. Dimensions are subject to manufacturer's tolerance of plus or minus 1/4" and change without notice. I-CON assumes no responsibility for use of voided or superseded data.

Approved for Manufacturing

Company \_\_\_\_\_ Quantity \_\_\_\_\_  
Signature \_\_\_\_\_ Date \_\_\_\_\_