

Front Access 18" Open Bottom Lavatory Fixture



Specification Guide

- 14-gauge type 304 stainless steel
- Seamlessly welded
- Satin finished surfaces
- Oval lavatory basin with fast drain
- 4" high backsplash
- Air-circulating, self-draining soap dish
- 1-1/2" NPT, male fitting for removable waste
- Openings to accept a carrier
- Removable bottom panel secured with tamper-resistant fasteners

Part No. 101318 : AF

Fixture may be featured with available options.

► Description

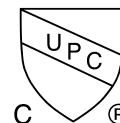
I-CON lavatories are seamlessly welded, 14-gauge type 304 stainless steel. Exposed surfaces have satin finishes. The fixture does not require a wall opening and chase area for installation and maintenance. The lavatory is furnished with an oval basin, integral strainer, 4" high backsplash, and an air-circulating, self-draining soap dish. Exposed fasteners are tamper-resistant stainless steel.

► Recommended I-CON Intelligent Control System

The system includes low voltage, water-resistant controllers; waterproof stainless steel actuators; and direct-acting solenoid valves with no diaphragms. The I-CON manifold lavatory valve allows for one (1) hot and cold-water supply for up to four (4) lavatories. Its advanced design allows for 0.5 GPM without a rubber flow restrictor. The I-CON System can be configured as a standalone or communicating unit linked to our touchscreen PC technology, which has the capability to stop flooding and abuse.

► Accessories & Options

See accessories and available options on page 2.



Front Access 18" Open Bottom Lavatory Fixture

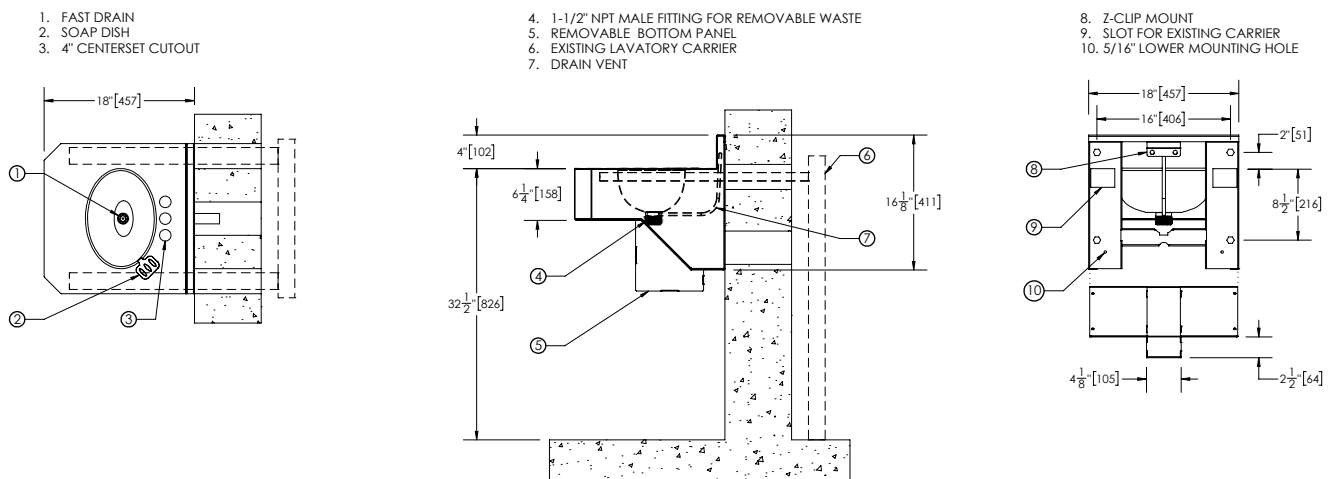
Part No. 101318 : AF

- ▶ **Access Type (must select one)**
 - Front
- ▶ **Lavatory Faucet Cutout (must select one)**
 - 4" Centerset (Three 1-3/8" Holes)
 - 8" Centerset (Three 1-3/8" Holes)
 - Single Spout - No Actuator Cutouts (One 1-3/8" Hole)
 - I-CON Single Spout - TruTOUCH® Single Temperature
 - I-CON Single Spout - TruTOUCH® Dual Temperature
- ▶ **Lavatory Waste (must select one)**
 - 1-1/2" NPT Male for Removable Waste
- ▶ **Additional Options (optional)**
 - Towel Hook Location: Left Right
 - Toothbrush Holder: Left Right
 - Integral Shelf
 - 12 Gauge Cabinet
 - Lavatory Overflow

Our Experts Recommend (sold separately)

- ▶ **Lavatory Faucet**
 - I-CON Deck Mounted Single Spout Kit, 0.5 GPM, 3/8" Compression fitting w/ Polyurethane Tubing **(104261 : 3/8" : 0.5gpm)**
**Use with I-CON Single Spout Lavatory Faucet Cutout Only*
 - I-CON Deck Mounted Single Spout Kit, 0.5 GPM, 1/2" Compression fitting w/ Polyurethane Tubing **(104261 : 1/2" : 0.5gpm)**
**Use with I-CON Single Spout Lavatory Faucet Cutout Only*
- ▶ **Removable Waste Options**
 - P-Trap in Cabinet, Cast Brass with Plug, Removable **(101592)**
 - Thru-Wall Connection with P-Trap **(101593)**
 - Removable 90° Cast Brass Elbow **(101907)**

Note: If any modification is required please contact factory for availability.



WARNING: Cancer and Reproductive Harm - www.P65Warnings.ca.gov
Important: Installation instructions and rough-in are included with each fixture. Do not modify these drawings. Do not rough in with certified dimensions. Dimensions are subject to manufacturer's tolerance of plus or minus 1/4" and change without notice. I-CON assumes no responsibility for use of voided or superseded data.
 © I-CON Systems

Approved for Manufacturing

Company _____ Quantity _____
 Signature _____ Date _____