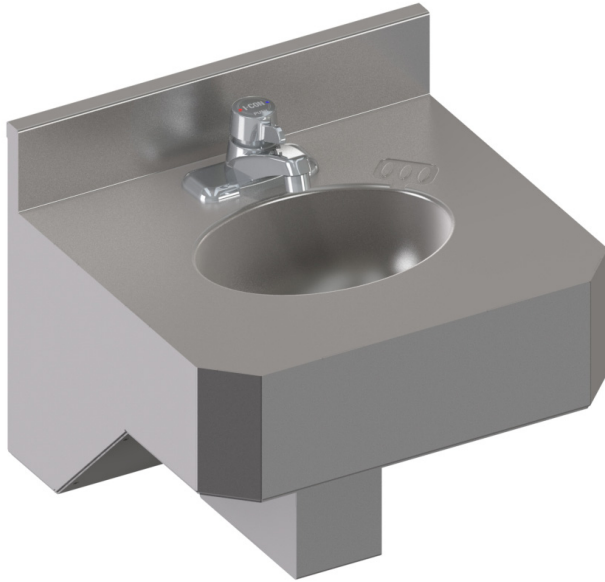


## 20" Open Bottom Lavatory Fixture



### Specification Guide

- 14-gauge type 304 stainless steel
- Seamlessly welded
- Satin finished surfaces
- Oval lavatory basin with fast drain
- 4" high backsplash
- Air-circulating, self-draining soap dish
- 1-1/4" OD, stainless steel, elbow waste with plain end extended 3" beyond rear of fixture
- 4 anchoring locations
- Furnished with necessary fasteners for proper mounting
- Removable bottom panel secured with tamper-resistant fasteners

Part No. 101319

Fixture may be featured with available options.

### ► Description

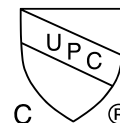
I-CON lavatories are seamlessly welded, 14-gauge type 304 stainless steel. Exposed surfaces have satin finishes. The fixture requires a wall opening and chase area for installation and maintenance. The lavatory is furnished with an oval basin, integral strainer, 4" high backsplash, and an air-circulating, self-draining soap dish. Exposed fasteners are tamper-resistant stainless steel.

### ► Recommended I-CON Intelligent Control System

The system includes low voltage, water-resistant controllers; waterproof, stainless-steel actuators; and direct-acting solenoid valves with no diaphragms. The I-CON manifold lavatory valve allows for one (1) hot and cold-water supply for up to four (4) lavatories. Its advanced design allows for 0.5 GPM without a rubber flow restrictor. The I-CON System can be configured as a standalone or communicating unit linked to our touchscreen PC technology, which has the capability to stop flooding and abuse.

### ► Accessories & Options

See accessories and available options on page 2.



# 20" Open Bottom Lavatory Fixture

Part No. 101319

- ▶ **Access Type (must select one)**
  - Rear
- ▶ **Lavatory Faucet Cutout (must select one)**
  - 4" Centerset (Three 1-3/8" Holes)
  - 8" Centerset (Three 1-3/8" Holes)
  - Single Spout - No Actuator Cutouts (One 1-3/8" Hole)
  - I-CON Single Spout - TruTOUCH® Single Temperature
  - I-CON Single Spout - TruTOUCH® Dual Temperature
- ▶ **Lavatory Waste (1-1/4" OD SS) (must select one)**
  - 1-1/2" NPT Male for Removable Waste
  - Elbow; 3" Beyond Rear of Fixture
  - Elbow; Custom \_\_\_\_ Inches Beyond Rear of Fixture
  - Elbow; 1-1/2" NPT Female to Rear of Fixture
  - P-Trap in Cabinet; 3" Beyond Rear of Fixture
  - P-Trap in Cabinet; Custom \_\_\_\_ Inches Beyond Rear of Fixture
  - P-Trap in Cabinet; 1-1/2" NPT Female to Rear of Fixture

\*Note: 1" increments for custom waste (15" MAX)
- ▶ **Additional Options (optional)**
  - Towel Hook Location:  Left  Right
  - Toothbrush Holder:  Left  Right
  - Integral Shelf
  - 12 Gauge Cabinet
  - Lavatory Overflow

### Included with Fixture (must select one)

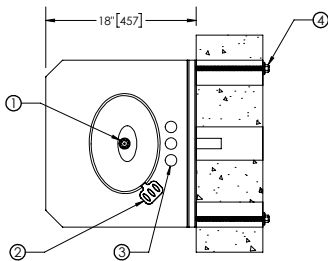
- ▶ **Wall Thickness (Standard Mounting Hardware)**
  - 0" to 4" (101594 : 6" : 4 Bolts)
  - 4" to 8" (101594 : 10" : 4 Bolts)
  - 8" to 12" (101594 : 14" : 4 Bolts)

### Our Experts Recommend (sold separately)

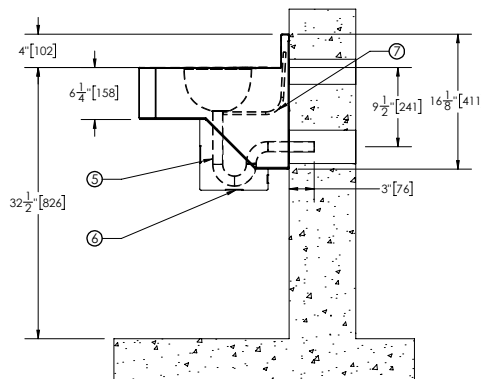
- ▶ **Lavatory Faucet**
  - I-CON Deck Mounted Single Spout Kit, 0.5 GPM, 3/8" Compression fitting w/ Polyurethane Tubing (104261 : 3/8" : 0.5gpm)  
\*Use with I-CON Single Spout Lavatory Faucet Cutout Only
  - I-CON Deck Mounted Single Spout Kit, 0.5 GPM, 1/2" Compression fitting w/ Polyurethane Tubing (104261 : 1/2" : 0.5gpm)  
\*Use with I-CON Single Spout Lavatory Faucet Cutout Only
  - Penal Bubbler with Mouthguard Kit (100361 : w/ Mthgrd : Bub Kit)
- ▶ **Removable Waste Options**  
(only available when 1-1/2" NPT Male Fitting for Removable Waste Option is selected)
  - P-Trap in Cabinet, Cast Brass with Plug, Removable (101592)
  - Thru-Wall Connection with P-Trap (101593)
  - Removable 90° Cast Brass Elbow (101907)
- ▶ **Wall Sleeve & Wall Template**
  - Wall Sleeve (102827 Series)  
See Wall Sleeve Submittal to Order
  - Wall Template (102851)  
See Wall Template Submittal to Order

Note: If any modification is required please contact factory for availability.

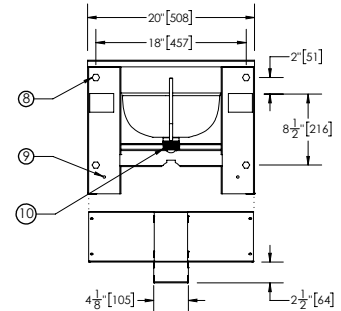
1. FAST DRAIN
2. SOAP DISH
3. 4" CENTERSET CUTOUT
4. 1/2" THREADED ANCHOR



5. OPTIONAL P-TRAP 3" BEYOND REAR OF FIXTURE
6. REMOVABLE BOTTOM PANEL
7. DRAIN VENT



8. 1/2" MOUNTING FOR REAR ACCESS
9. 5/16" LOWER MOUNTING HOLE
10. OPTIONAL 1-1/2" NPT MALE FITTING FOR REMOVABLE WASTE



**WARNING:** Cancer and Reproductive Harm - www.P65Warnings.ca.gov  
**Important:** Installation instructions and rough-in are included with each fixture. Do not modify these drawings. Do not rough in with certified dimensions. Dimensions are subject to manufacturer's tolerance of plus or minus 1/4" and change without notice. I-CON assumes no responsibility for use of voided or superseded data.  
 © I-CON Systems

Approved for Manufacturing

Company \_\_\_\_\_ Quantity \_\_\_\_\_  
 Signature \_\_\_\_\_ Date \_\_\_\_\_