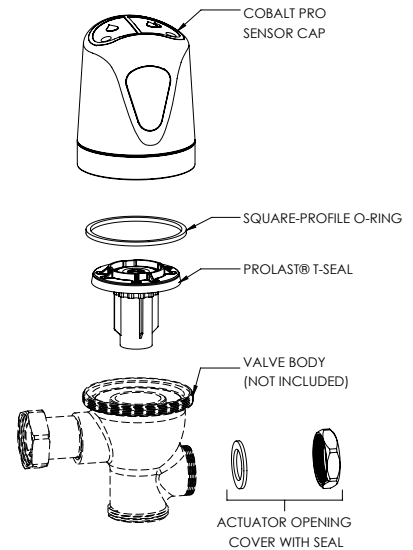


## COBALT Pro® Exposed Sensor Flush Valve Retrofit Kit



Part No. 101673

### ► **Description**

COBALT Pro® Exposed Sensor Flush Valve Retrofit Kit, includes a sensor cap assembly, ProLAST® T-Seal, square-profile O-ring, and actuator opening cover.

### ► **Features**

- Patented ProLAST® T-Seal, featuring a single-piece design, glass-reinforced polymer substrate with TPE overmolded seals, and a stainless steel, integral bypass filter
- TPE overmolded seals are chlorine and chloramine resistant to prevent failure in the worst water conditions
- Dynamic sealing design provides accurate and consistent flush performance over time
- TruFLUSH® volume control uses live water pressure data to maintain desired flush volumes
- All water closets use the same ProLAST® T-Seal for easy maintenance
- All urinals use the same ProLAST® T-Seal for easy maintenance
- On-board usage tracking, battery monitoring, and obstruction monitoring with alerts
- Automatic sensor range adjustment
- ADA compliant sensor activation and override buttons
- No external flush volume adjustment
- Includes a sensor cap assembly, ProLAST® T-Seal, square-profile O-ring, and actuator opening cover

### ► **Retrofit Kit**

- Sloan®  Zurn®

### ► **Accessories**

For additional accessories, see the Accessories Section of the I-CON catalog or contact our Customer Service Team for details.



### ► **Flush Volume (must select one)**

#### **Urinal Flush Volume**

- 0.125 gpf / 0.5 Lpf  
 0.25 gpf / 1.0 Lpf  
 0.5 gpf / 1.9 Lpf  
 1.0 gpf / 3.8 Lpf

#### **Water Closet Flush Volume**

- 1.1 gpf / 4.2 Lpf  
 1.28 gpf / 4.8 Lpf  
 1.6 gpf / 6.0 Lpf  
 2.4 gpf / 9.0 Lpf  
 3.5 gpf / 13.2 Lpf

### Recommended Specification

**COBALT Pro® Exposed Sensor Flush Valve Retrofit Kit** utilizes the I-CON patented ProLAST® T-Seal, featuring a single-piece design, glass-reinforced polymer substrate with TPE overmolded seals, and a stainless steel, integral bypass filter. The TruFLUSH® volume control uses live water pressure data to maintain desired flush volumes. The sensor activation and override buttons are ADA compliant. The retrofit kit includes a sensor cap assembly, ProLAST® T-Seal, square-profile O-ring, and actuator opening cover.

 **WARNING:** Cancer and Reproductive Harm - [www.P65Warnings.ca.gov](http://www.P65Warnings.ca.gov)

This space is for Architect/Engineer approval

The information contained in this document is subject to change without notice.