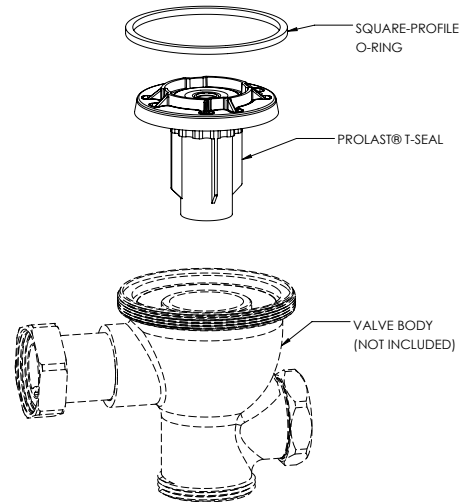


ProLAST® Rebuild Kit for COBALT Pro® and Secure Sensor Flush Valves



Part No. 101686

► **Description**

ProLAST® Rebuild Kit rebuilds existing COBALT Pro® and COBALT® Secure sensor flush valves. It includes a ProLAST® T-Seal and square-profile O-ring.

► **Features**

- Patented ProLAST® T-Seal, featuring a single-piece design, glass-reinforced polymer substrate with TPE overmolded seals, and a stainless steel, integral bypass filter
- TPE overmolded seals are chlorine and chloramine-resistant to prevent failure in the worst water conditions
- Dynamic sealing design provides accurate and consistent flush performance over time
- TruFLUSH® volume control uses live water pressure data to maintain desired flush volumes
- All water closets use the same ProLAST® T-Seal for easy maintenance
- All urinals use the same ProLAST® T-Seal for easy maintenance
- Includes ProLAST® T-Seal, and square-profile O-ring

► **Valve Type**

- Urinal
- Water Closet

Recommended Specification

ProLAST® Rebuild Kit for COBALT Pro® and Secure Sensor Flush Valves 101686 utilizes the I-CON patented ProLAST® T-Seal, featuring a single-piece dynamic sealing design, glass-reinforced polymer substrate with TPE over-molded seals, and a stainless steel, integral bypass filter. The dynamic sealing design provides accurate and consistent flush performance over time. When the valve is equipped with TruFLUSH®, the TruFLUSH® volume control uses live water pressure data to maintain desired flush volumes.* Includes square profile O-ring.

*COBALT Pro® valves include TruFLUSH® technology

 **WARNING:** Cancer and Reproductive Harm - www.P65Warnings.ca.gov

This space is for Architect/Engineer approval

► **Accessories**

For additional accessories, see the Accessories Section of the I-CON catalog or contact our Customer Service Team for details.



The information contained in this document is subject to change without notice.