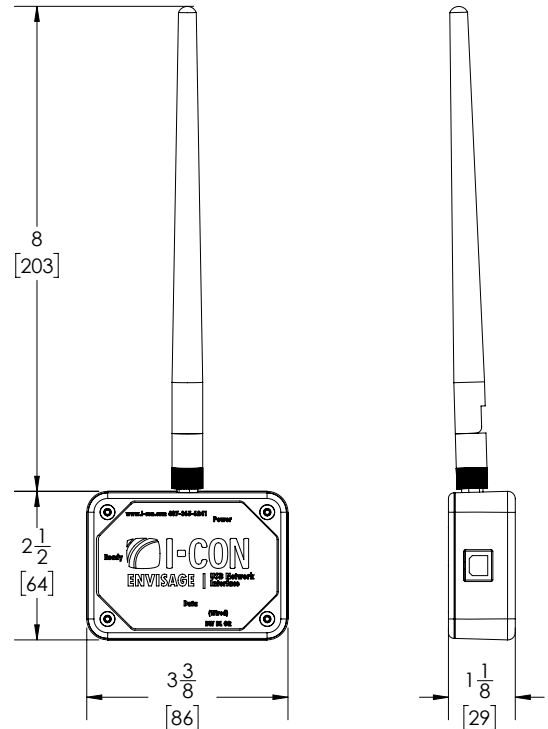


ENVISAGE® USB Network Interface



Part No. 101705

► Description

I-CON's ENVISAGE® USB Network Interface is used for wireless connectivity to I-CON NEXUS® controllers. Compatible with ENVISAGE® Water Management Console.

Specifications

- Power LED indicator
- Ready LED indicator
- Data LED indicator
- USB connection
- 8" signal boosting antenna

► Accessories

See Accessories Section of the I-CON catalog or contact our Customer Service Team for details.



WARNING: Cancer and Reproductive Harm - www.P65Warnings.ca.gov

This space is for Architect/Engineer approval

The information contained in this document is subject to change without notice.