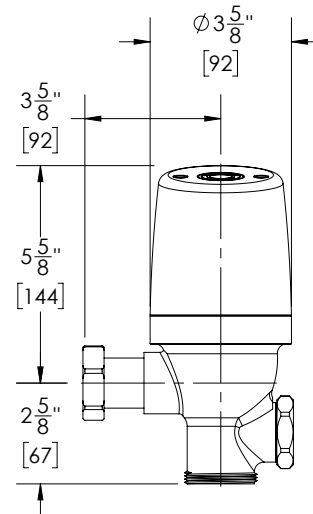


COBALT® Secure Exposed Sensor Flush Valve



Part No. 101716 : 3000

► **Description**

COBALT® Secure Exposed Sensor Flush Valve for Water Closets and Urinals; No Vacuum Breaker; No Control Stop

► **Features**

- Patented ProLAST® T-Seal, featuring a single-piece design, glass-reinforced polymer substrate with TPE overmolded seals, and a stainless steel, integral bypass filter
- TPE overmolded seals are chlorine and chloramine resistant, to prevent failure in the worst water conditions
- Dynamic sealing design provides accurate and consistent flush performance over time
- All water closets use the same ProLAST® T-Seal for easy maintenance
- All urinals use the same ProLAST® T-Seal for easy maintenance
- ADA compliant sensor activation
- No external flush volume adjustment
- Adjustable tailpiece allows for variations in rough-in
- Vandal-resistant TruTOUCH® sensor
- Runtime adjustable
- 10+ years typical battery life at 17,500 uses per year*

► **Actuator (must select one)**

- Standard TruTOUCH® Sensor
- LED TruTOUCH® Sensor

► **Accessories**

For additional accessories, see the Accessories Section of the I-CON catalog or contact our Customer Service Team for details.



► **Flush Volume (must select one)**

- | | |
|---|---|
| <input type="checkbox"/> 0.125 gpf / 0.5 Lpf - Urinals Only | <input type="checkbox"/> 1.28 gpf / 4.8 Lpf |
| <input type="checkbox"/> 0.25 gpf / 1.0 Lpf - Urinals Only | <input type="checkbox"/> 1.6 gpf / 6.0 Lpf |
| <input type="checkbox"/> 0.5 gpf / 1.9 Lpf - Urinals Only | <input type="checkbox"/> 2.4 gpf / 9.0 Lpf |
| <input type="checkbox"/> 1.0 gpf / 3.8 Lpf - Urinals Only | <input type="checkbox"/> 3.5 gpf / 13.2 Lpf |
| <input type="checkbox"/> 1.1 gpf / 4.2 Lpf | |

Recommended Specification

I-CON COBALT® Secure 101716 Exposed Sensor Flush Valve is an electronically operated, dynamic sealing, chrome-plated flush valve for water closets and urinals. It utilizes the I-CON patented ProLAST® T-Seal, featuring a single-piece design, glass-reinforced polymer substrate with TPE over-molded seals, and a stainless steel integral bypass filter. The valve is ADA-compliant.

* battery life depends on usage, operating conditions, and storage conditions

IMPORTANT NOTE: Do not use abrasive or chemical cleaners and do not pressure wash valves.



WARNING: Cancer and Reproductive Harm - www.P65Warnings.ca.gov

This space is for Architect/Engineer approval

The information contained in this document is subject to change without notice.