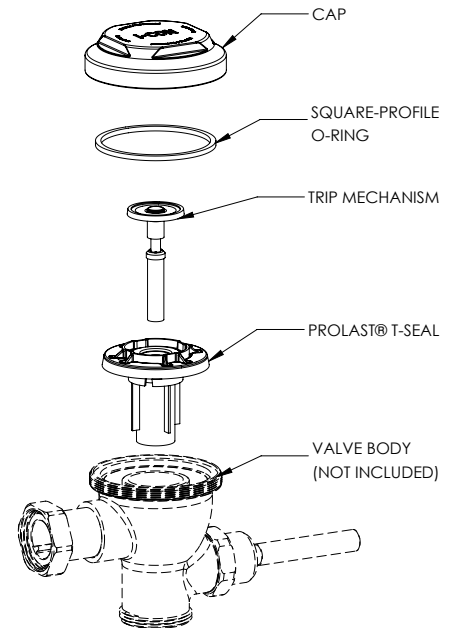


COBALT® Concealed Manual Flush Valve Retrofit Kit



Part No. 101776

► **Description**

COBALT® Concealed Manual Flush Valve Retrofit Kit upgrades existing manual diaphragm flush valves with ProLAST® T-Seal technology.

► **Features**

- Patented ProLAST® T-Seal, featuring a single-piece design, glass-reinforced polymer substrate with TPE overmolded seals
- Integral, stainless steel bypass filter
- TPE overmolded seals are chlorine and chloramine resistant to prevent failure in the worst water conditions
- Dynamic sealing design provides accurate and consistent flush performance over time
- Includes ProLAST® T-Seal, trip mechanism, square-profile O-ring, and a brass external cap

► **Retrofit Kit (must select one)**

- Sloan®
- Zurn®

Flush Volume & Bypass Color					
Water Closets	1.1gpf/4.2Lpf (GREEN)	1.28gpf/4.8Lpf (BLUE)	1.6gpf/6.0Lpf (ORANGE)	2.4gpf/9.0Lpf (RED)	3.5gpf/13.2Lpf (YELLOW)
Urinals	0.125gpf/0.5Lpf (GREEN)	0.25gpf/1.0Lpf (YELLOW)	0.5gpf/1.9Lpf (BLACK)	1.0gpf/3.8Lpf (WHITE)	

► **Accessories**

For additional accessories, see the Accessories Section of the I-CON catalog or contact our Customer Service Team for details.



► **Flush Volume (must select one)**

Urinal Flush Volume

- 0.125 gpf / 0.5 Lpf
- 0.25 gpf / 1.0 Lpf
- 0.5 gpf / 1.9 Lpf
- 1.0 gpf / 3.8 Lpf

Water Closet Flush Volume

- 1.1 gpf / 4.2 Lpf
- 1.28 gpf / 4.8 Lpf
- 1.6 gpf / 6.0 Lpf
- 2.4 gpf / 9.0 Lpf
- 3.5 gpf / 13.2 Lpf

Recommended Specification

COBALT® Concealed Manual Flush Valve Retrofit Kit utilizes the I-CON patented ProLAST® T-Seal, featuring a single-piece design, glass-reinforced polymer substrate with TPE overmolded seals, and a stainless steel, integral bypass filter. The dynamic sealing design provides accurate and consistent flush performance over time.

 **WARNING:** Cancer and Reproductive Harm - www.P65Warnings.ca.gov

This space is for Architect/Engineer approval

The information contained in this document is subject to change without notice.