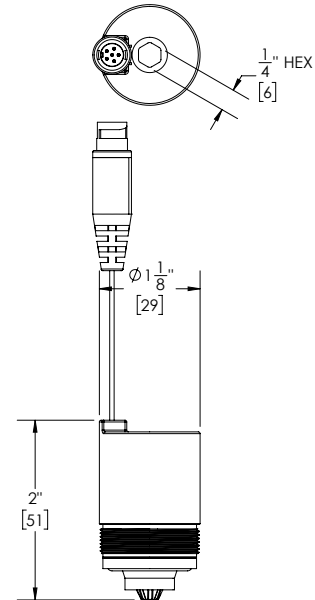


1000 Series Solenoid



Part No. 101781

► **Description**

1000 Series Solenoid 24VAC with 2" Lead & Black Watertight Connector.

► **Features**

- 24VAC solenoid
- 2" lead & black watertight connector
- Chlorine and chloramine resistant materials
- Max temperature - 120° F
- Operation pressure - 0 - 100psi

Recommended Specification

1000 Series Solenoid 101781 is a 24VAC solenoid made from chemical resistant materials. The solenoid utilizes a 2' lead with a black watertight connector. The solenoid operates at a range from 0 to 100psi and at temperatures up to 120°F.

 **WARNING:** Cancer and Reproductive Harm - www.P65Warnings.ca.gov

This space is for Architect/Engineer approval

► **Accessories**

See Accessories Section of the I-CON catalog or contact our Customer Service Team for details.



The information contained in this document is subject to change without notice.