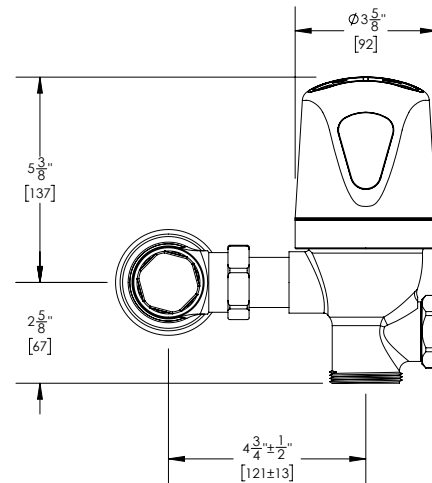


## COBALT Pro® Exposed Sensor Flush Valve



Part No. 101819 : 3005

### ► Description

COBALT Pro® Exposed Sensor Flush Valve for Water Closets and Urinals; Less Vacuum Breaker

### ► Features

- Patented ProLAST® T-Seal, featuring a single-piece design, glass-reinforced polymer substrate with TPE overmolded seals, and a stainless steel, integral bypass filter
- TPE overmolded seals are chlorine and chloramine resistant to prevent failure in the worst water conditions
- Dynamic sealing design provides accurate and consistent flush performance over time
- TruFLUSH® volume control uses live water pressure data to maintain desired flush volumes
- All water closets use the same ProLAST® T-Seal for easy maintenance
- All urinals use the same ProLAST® T-Seal for easy maintenance
- On-board usage tracking, battery monitoring, and obstruction monitoring with alerts
- Automatic sensor range adjustment
- ADA compliant sensor activation and override buttons
- No external flush volume adjustment
- Adjustable tailpiece allows for variations in rough-in
- Screwdriver adjustable, backflow-preventing control stop with vandal-resistant cap
- Sweat solder kit includes a threaded adapter, cover tube, and wall escutcheon

### ► Accessories

For additional accessories, see the Accessories Section of the I-CON catalog or contact our Customer Service Team for details.



### ► Flush Volume (must select one)

#### Urinal Flush Volume

- 0.125 gpf / 0.5 Lpf
- 0.25 gpf / 1.0 Lpf
- 0.5 gpf / 1.9 Lpf
- 1.0 gpf / 3.8 Lpf

#### Water Closet Flush Volume

- 1.1 gpf / 4.2 Lpf
- 1.28 gpf / 4.8 Lpf
- 1.6 gpf / 6.0 Lpf
- 2.4 gpf / 9.0 Lpf
- 3.5 gpf / 13.2 Lpf

### ► Control Stop

- 1" I.P.S. Control Stop and Sweat Solder Kit
- 3/4" I.P.S. Control Stop and Sweat Solder Kit (Urinals Only)

### Recommended Specification

I-CON COBALT Pro® 101819 3005 Flush Valve is a sensor operated, dynamic sealing exposed flush valve for water closets and urinals. The cast brass valve body has a polished, chrome-plated finish. It utilizes the I-CON patented ProLAST® T-Seal, featuring a single-piece design, glass-reinforced polymer substrate with TPE overmolded seals, and a stainless steel, integral bypass filter. The TruFLUSH® volume control uses live water pressure data to maintain desired flush volumes. The sensor activation and override buttons are ADA compliant. It includes a backflow-preventing control stop with a vandal-resistant stop cap and a sweat solder kit containing a threaded adapter, cover tube, and wall escutcheon.

 **WARNING:** Cancer and Reproductive Harm - [www.P65Warnings.ca.gov](http://www.P65Warnings.ca.gov)

This space is for Architect/Engineer approval

The information contained in this document is subject to change without notice.