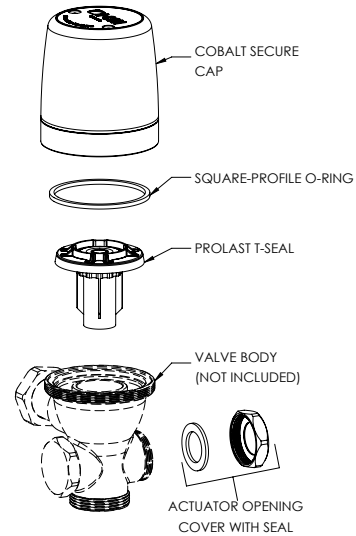


COBALT® Secure Concealed Sensor Flush Valve for NEXUS® Controllers Retrofit Kit



Part No. 101833

► **Description**

COBALT® Secure Concealed Sensor Flush Valve for NEXUS® Controllers Retrofit Kit powered by ProLAST® includes a cap assembly, ProLAST® T-Seal, square-profile O-ring, and actuator opening cover.

► **Features**

- Patented ProLAST® T-Seal, featuring a single-piece design, glass-reinforced polymer substrate with TPE overmolded seals, and a stainless steel, integral bypass filter
- TPE overmolded seals are chlorine and chloramine resistant, to prevent failure in the worst water conditions
- Dynamic sealing design provides accurate and consistent flush performance over time
- Zurn® and Sloan® retrofit kits available
- All water closets use the same ProLAST® T-Seal for easy maintenance
- All urinals use the same ProLAST® T-Seal for easy maintenance
- Solenoid lead with watertight connector

► **Solenoid Type** (must select one)

- 24VAC (For use with Standard NEXUS® I-CON Controllers)
- 9VDC (For use with Battery Powered NEXUS® I-CON Controllers)

► **Retrofit Kit** (must select one)

- Zurn®
- Sloan®

► **Accessories**

For additional accessories, see the Accessories Section of the I-CON catalog or contact our Customer Service Team for details.



► **Flush Volume** (must select one)

- 0.125 gpf / 0.5 Lpf - Urinals Only
- 0.25 gpf / 1.0 Lpf - Urinals Only
- 0.5 gpf / 1.9 Lpf - Urinals Only
- 1.0 gpf / 3.8 Lpf - Urinals Only
- 1.1 gpf / 4.2 Lpf
- 1.28 gpf / 4.8 Lpf
- 1.6 gpf / 6.0 Lpf
- 2.4 gpf / 9.0 Lpf
- 3.5 gpf / 13.2 Lpf

Recommended Specification

I-CON COBALT® Secure Concealed Sensor Flush Valve for NEXUS® Controllers Retrofit Kit is electronically operated and dynamic sealing. The I-CON patented ProLAST® T-Seal kit features a single-piece design with an integral bypass filter, glass-reinforced polymer, and over-molded seals. The retrofit kit can replace most common mechanically and automatically actuated diaphragm flush valves.

WARNING: Cancer and Reproductive Harm - www.P65Warnings.ca.gov

This space is for Architect/Engineer approval

The information contained in this document is subject to change without notice.