

## 18" Combination Fixture w/ Ligature Resistant Skirt & Removable Jet



### Specification Guide

- 14-gauge type 304 stainless steel
- Seamlessly welded
- Satin finished surfaces
- Mirror finished, integral, elongated seat
- Oval lavatory basin with fast drain
- Removable Jet
- 4" high backsplash
- Air-circulating, self-draining soap dish
- 1-1/4" OD, stainless steel elbow lavatory waste with various waste options
- Blowout flushing action with self-draining, flushing rim
- Flush connection is 1-1/2"NPT female
- 2-3/8" OD, stainless steel trap waste with various waste options
- Sound dampening, fire-resistant cabinet
- 6 anchoring locations
- Furnished with necessary fasteners for proper mounting

Part No. 102168

Fixture may be featured with available options.

Note: Optional wall sleeve or metal template is recommended for all installations for required wall openings.

### ► Description

I-CON combination fixtures are seamlessly welded, 14-gauge type 304 stainless steel. Exposed surfaces have satin finishes except for the mirror finished, integral, elongated seat. The fixture requires a wall opening and chase area for installation and maintenance. Combination fixtures are furnished with an oval basin, integral strainer, 4" high backsplash, and an air-circulating, self-draining soap dish. The toilet features a blowout flushing action with a self-draining flush rim. The fixture interior is coated with a sound dampening, fire-resistant material. The fixture is equipped with a removable jet connected by corrugated stainless tubing for easy maintenance.

### ► Performance

I-CON toilets meet or exceed ASME A112.19.3 and CSA B45.4 requirements. The toilets are designed to withstand a 5,000 lbs. load without permanent deflection and damage, and the trap allows for a 2-1/8" ball to pass. A 1" supply line with a minimum of 25 PSI flow pressure is required. When used with an I-CON MOMENTUM® flush valve, the fixture is capable of flushing as low as 1.0gpf. If used with other flush valves, the fixture is capable of flushing as low as 1.28gpf.

### ► Accessories & Options

See accessories and available options on page 2.

### ► Recommended I-CON Intelligent Control System

The system includes low voltage, water-resistant controllers; waterproof, stainless-steel actuators; direct-acting solenoid valves with no diaphragms; and an ASSE-certified flush valve proven to be more reliable and less expensive to maintain than traditional valves. When used with the I-CON MOMENTUM® flush valve, the unit is capable of flushing 1.0 gpf, exceeding all HET requirements. The I-CON System can be configured as a standalone or communicating system linked to our touchscreen PC technology. Both configurations offer the capability to stop flooding and abuse while managing toilet flushes per hour per fixture, which reduces water usage and sewer costs.



# 18" Combination Fixture w/ Ligature Resistant Skirt & Removable Jet

- ▶ **Access Type (must select one)**
  - Rear
- ▶ **Fixture Location (must select one)**
  - Off Floor  On Floor
- ▶ **Outlet Location (must select one)**
  - Floor Outlet  Wall Outlet
- ▶ **Toilet Orientation (must select one)**
  - Angled Left  Angled Right  Centered
- ▶ **Lavatory Actuator Cutouts (must select one)**
  - TruTOUCH® Single Temperature  TruTOUCH® Dual Temperature
- ▶ **Toilet Actuator Cutout (must select one)**
  - TruTOUCH® Sensor  Manual Push Rod Button
- ▶ **Toilet Waste (must select one)**
  - 3" Beyond Rear of Fixture
  - Custom \_\_\_\_\_ Inches Beyond Rear of Fixture
  - Gasket Waste Outlet

*Note: 1" increments for custom waste (15" MAX)*
- ▶ **Lavatory Waste (must select one)**
  - 1-1/2" NPT Male Fitting for Removable Waste
  - Elbow; 3" Beyond Rear of Fixture
  - Elbow; Custom \_\_\_\_\_ Inches Beyond Rear of Fixture
  - Elbow; 1-1/2" NPT Female to Rear of Fixture
  - P-Trap in Cabinet; 3" Beyond Rear of Fixture
  - P-Trap in Cabinet; Custom \_\_\_\_\_ Inches Beyond Rear of Fixture
  - P-Trap in Cabinet; 1-1/2" NPT Female to Rear of Fixture
  - Combined Waste

*Note: 1" increments for custom waste (15" MAX)*
- ▶ **Removable Jet Access Panel Fasteners (must select one)**
  - Security Screws  Stainless Steel Rivets
- ▶ **Additional Options (optional)**
  - Towel Hook -  Left  Right
  - Toothbrush Holder -  Left  Right
  - Integral Tissue Holder -  Left  Right
  - Vent Grill  Left  Right
  - 12 Gauge Cabinet (Excluding Ligature Resistant Skirt)
  - Flush Valve in Opposite Location of Standard
  - Lavatory Overflow

Note: If any modification is required please contact factory for availability.

### Included with Fixture (must select one)

- ▶ **Wall Thickness (Standard Mounting Hardware)**
  - 0" to 4" (101594 : 6" : 6 Bolts)  4" to 8" (101594 : 10" : 6 Bolts)
  - 8" to 12" (101594 : 14" : 6 Bolts)

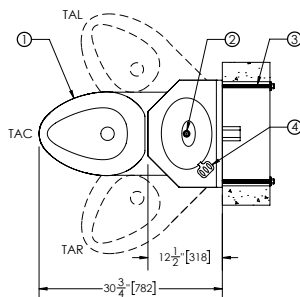
### Our Experts Recommend (sold separately)

- ▶ **Lavatory Bubblers**
  - Penal Bubbler (100361 : w/o Mthgrd : Bub Only)
  - Penal Bubbler Kit (100361 : w/o Mthgrd : Bub Kit)
  - Penal Bubbler with Mouthguard Kit (100361 : w/ Mthgrd : Bub Kit)
  - Ligature Resistant Bubbler (100362 : Bub Only)
  - Ligature Resistant Bubbler Kit (100362 : Bub Kit)
- ▶ **Lavatory Waste Options**

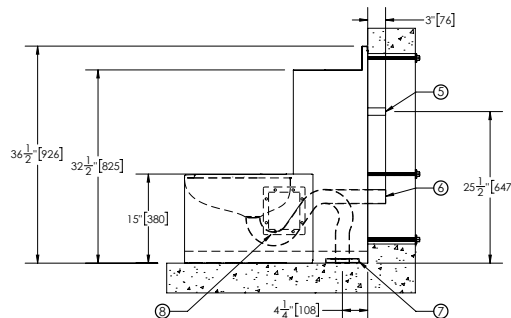
*(only available when 1-1/2" NPT Male Fitting for Removable Waste Option is selected)*

  - P-Trap in Cabinet, Cast Brass w/ Plug, Removable (101592)
  - Thru-Wall Connection w/ P-Trap (101593)
  - Removable 90° Cast Brass Elbow (101907)
- ▶ **Toilet Waste Coupling**
  - 2-3/8" Stainless Steel to 3" Cast Iron/Plastic No-Hub (100443 : 3" : NH C Only)
  - 2-3/8" Stainless Steel to 3" Cast Iron/Plastic No-Hub with Cleanout T & Plug (100443 : 3" : NH CTP)
  - 2-3/8" Stainless Steel to 3" Cast Iron/Plastic No-Hub with Cleanout T & Pinned Plug (100443 : 3" : NH CTPP)
  - 2-3/8" Stainless Steel to 3" Cast Iron/Plastic No-Hub with Cleanout T & Hook Assembly (100443 : 3" : NH CTH)
  - 2-3/8" Stainless Steel to 4" Cast Iron/Plastic No-Hub (100443 : 4" : NH C Only)
  - 2-3/8" Stainless Steel to 4" Cast Iron/Plastic No-Hub with Cleanout T & Plug (100443 : 4" : NH CTP)
  - 2-3/8" Stainless Steel to 4" Cast Iron/Plastic No-Hub with Cleanout T & Pinned Plug (100443 : 4" : NH CTPP)
  - 2-3/8" Stainless Steel to 4" Cast Iron/Plastic No-Hub with Cleanout T & Hook Assembly (100443 : 4" : NH CTH)
- ▶ **Wall Sleeve & Wall Template**
  - Wall Sleeve (102636 Series)  
*See Wall Sleeve Submittal to Order*
  - Wall Template (102830)  
*See Wall Template Submittal to Order*

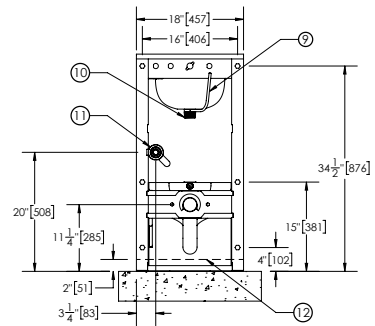
1. MIRROR FINISH SEAT
2. FAST DRAIN
3. 1/2" THREADED ANCHOR
4. SOAP DISH



5. OPTIONAL ELBOW 3" BEYOND REAR OF FIXTURE
6. OPTIONAL 3" BEYOND REAR OF FIXTURE TOILET WASTE
7. OPTIONAL GASKET WASTE FLOOR OUTLET
8. REMOVABLE JET ACCESS PANEL



9. DRAIN VENT
10. OPTIONAL 1-1/2" NPT MALE FITTING FOR REMOVABLE WASTE
11. 1-1/2" NPT FEMALE SUPPLY INLET
12. BOTTOM OF OFF FLOOR FIXTURE



\*NOTE: FOR ANGLED LEFT (TAL) AND ANGLED RIGHT (TAR) OPTIONS, STANDARD SUPPLY INLET IS ON THE SAME SIDE AS THE TOILET. FOR CENTERED TOILET ORIENTATION (TAC), STANDARD SUPPLY INLET IS AS SHOWN.

**WARNING:** Cancer and Reproductive Harm - www.P65Warnings.ca.gov  
**Important:** Installation instructions and rough-in are included with each fixture. Do not modify these drawings. Do not rough in with certified dimensions. Dimensions are subject to manufacturer's tolerance of plus or minus 1/4" and change without notice. I-CON assumes no responsibility for use of voided or superseded data.  
 © I-CON Systems

**Approved for Manufacturing**

Company \_\_\_\_\_ Quantity \_\_\_\_\_  
 Signature \_\_\_\_\_ Date \_\_\_\_\_