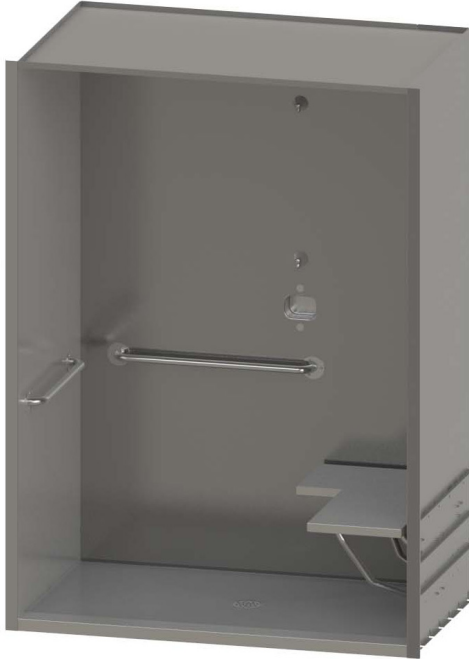


ADA Roll-In Cabinet Shower



Part No. 102574

Fixture may be featured with available options.

Specification Guide

- 14-gauge type 304 stainless steel seamlessly welded construction
- 12-gauge type 304 stainless steel floor and floor reinforcements
- Satin finished surfaces
- Slip resistant shower floor
- Removable strainer secured with tamper resistant fasteners
- 2-3/8" OD stainless steel removable no-caulk drain
- Showerheads at 48" and 72" discharge height
- ADA stainless steel folding seat
- Horizontal grab bars 24" x 30" in length
- Recessed soap dish
- 4 anchoring locations
- Furnished with necessary fasteners for proper mounting

Note: Optional Wall Sleeve or Metal Template is recommended for all installations for required wall openings.

► Description

I-CON Shower Cabinets are fabricated using 14-gauge type 304 stainless steel seamlessly welded construction. Exposed surfaces are satin finished with exception to the matte finished slip resistant floor. Fixture requires wall opening and chase area for installation and maintenance. One piece showers are continuously welded to form a one piece leak proof enclosure. The shower is designed to recess 1-1/2" into the floor. A folding shower seat, safety grab bar and a recessed soap dish are provided and mounted at ADA prescribed locations. Shower flooring is reinforced with heavy channels to prevent flexing. Removable strainer secured with tamper resistant fasteners included. Exposed fasteners are tamper resistant, stainless steel.

► Recommended I-CON Intelligent Control System

The system includes low voltage, water-resistant controllers; waterproof stainless steel actuators; and direct-acting solenoid valves with no diaphragms. The I-CON pre-tempered water manifolds are industrial quality solenoid valves for use with up to four pre-tempered shower fixtures. They are designed to save water and money while allowing for an expandable valve solution: multiple valves can be attached in series to reduce inlet piping requirements. The manifold's solenoids are direct-acting and therefore do not have diaphragms, which are subject to deterioration or clogging.

► Accessories & Options

See accessories and available options on page 2.



ADA Roll-In Cabinet Shower

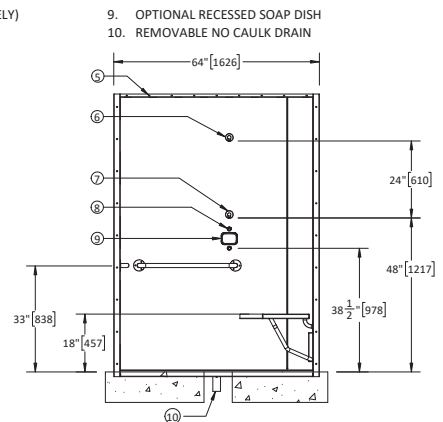
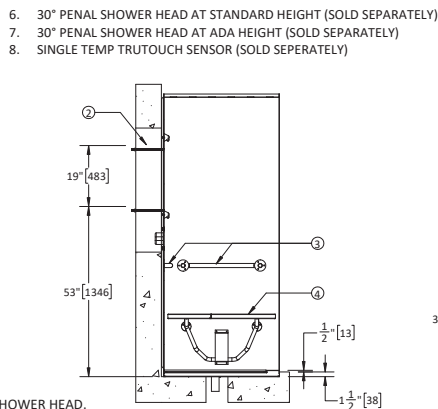
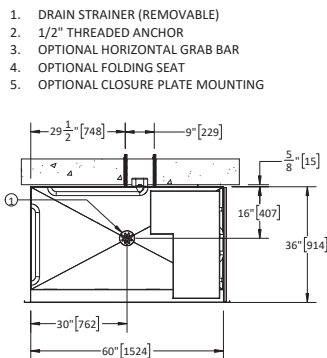
- ▶ **Access Type (must select one)**
 - Rear
- ▶ **Cabinet Type (must select one)**
 - One Piece
- ▶ **Chase/Controls Location (must select one)**
 - Left Wall Right Wall
- ▶ **Shower Actuator Cutouts (must select one)**
 - TruTOUCH® Single Temperature TruTOUCH® Dual Temperature
- ▶ **Lower Showerhead Cutout**
 - Cutout for I-CON Fixed Showerhead
 - Cutout for Shower Wand
- ▶ **Shower Waste (must select one)**
 - Removable No-Caulk Drain
- ▶ **Seat**
 - Folding Seat
 - Fixed Seat (Does not meet ADA Requirements)
 - No Seat (Does not meet ADA Requirements)
- ▶ **Horizontal Grab Bar (must select one)**
 - Horizontal Grab Bar
 - Horizontal Grab Bar with Closure Plate
 - No Horizontal Grab Bar (Does not meet ADA Requirements)
- ▶ **Vertical Grab Bar (optional)**
 - 24" Vertical Grab Bar
 - 24" Vertical Grab Bar with Closure Plate
 - No Vertical Grab Bar (Does not meet ADA Requirements)
- ▶ **Polish Locations (optional - check all that apply)**
 - Left Polish Right Polish Rear Polish
- ▶ **Closure Plate Mounting Locations (optional - check all that apply)**
 - Left Ceiling Closure Support Right Ceiling Closure Support
 - Front Ceiling Closure Support Front Left Closure Support
 - Front Right Closure Support
- ▶ **Toiletry Accessories (optional)**
 - Removable Curtain Rod
 - Towel Hook
 - Recessed Soap Dish

- ▶ **Additional Options (optional)**
 - Sloping Top Cover
 - Vent Grill on Chase Wall

Our Experts Recommend (sold separately)

- ▶ **Upper Showerhead**
 - 30° Fixed Showerhead Kit (100036 : 30° : SH K0.5)
 - 17.5° Fixed Showerhead Kit (100036 : 17.5° : SH K0.5)
 - ▶ **Lower Showerhead**
 - 30° Fixed Showerhead Kit (100036 : 30° : SH K0.5)
 - 17.5° Fixed Showerhead Kit (100036 : 17.5° : SH K0.5)
 - Hand Wand Shower Kit (100485 : SW Kit)
 - ▶ **Closure Plates***
 - Left Ceiling Closure Right Ceiling Closure
 - Front Ceiling Closure Front Left Closure
 - Front Right Closure
- *Contact Customer Service to Order.
- ▶ **Donut**
 - Fernco 22UX-205
 - ▶ **Wall Sleeve & Wall Template**
 - Wall Sleeve: QTY _____ Wall Thickness: _____
 - Wall Template: QTY _____

Note: If any modification is required, please contact factory for availability.



NOTE: BACK RIGHT CHASE SHOWN. SINGLE TEMP & FIXED SHOWER HEAD.
*NOTE: CLOSURE PLATES SOLD SEPARATELY. CONTACT CUSTOMER SERVICE.

WARNING: Cancer and Reproductive Harm - www.P65Warnings.ca.gov
Important: Installation instructions and rough-in are included with each fixture. Do not modify these drawings. Do not rough in with certified dimensions. Dimensions are subject to manufacturer's tolerance of plus or minus 1/4" and change without notice. I-CON assumes no responsibility for use of voided or superseded data.
© I-CON Systems

Approved for Manufacturing

Company _____ Quantity _____
Signature _____ Date _____