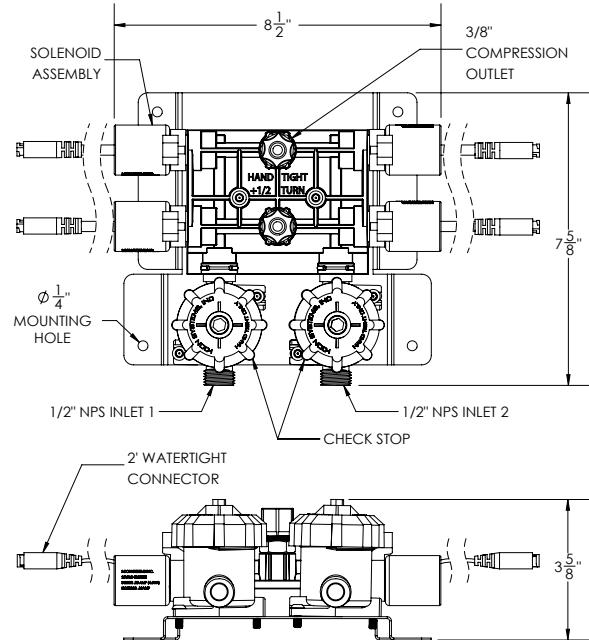
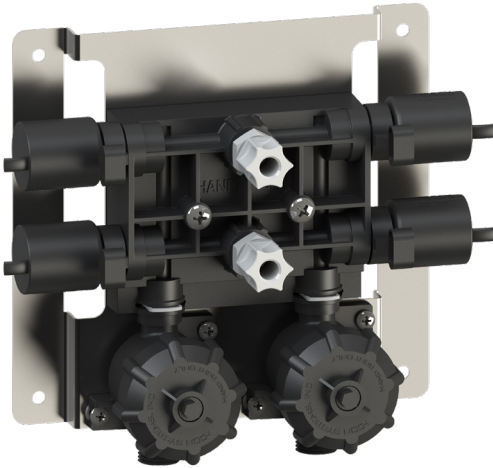


## ELEMENT® Dual Temperature Electronic Manifold Lavatory Valve



Part No. 102824

### ► Description

Lavatory manifold valve for use with hot and cold water. Supplies two lavatory fixtures. Includes pressure compensating 0.5 GPM flow regulators as standard.

### ► Features

- Standard pressure compensating 0.5 GPM flow regulators
- Check stop with retaining clips for added support and reliability
- Expandable valve solution allowing for one (1) hot and cold water supply for two lavatories
- No metering diaphragms to fail and clog
- Engineered non-metallic polymer valve body for advanced corrosion resistance
- Ability to activate using manual bypass handle
- All solenoids are interchangeable with other I-CON valves reducing spare parts
- Positive valve shut-off after pressure loss eliminating continual running of valve
- Maximum water temperature of 120° F & maximum pressure of 100 PSI
- 1/2" NPT supply connections and 3/8" OD tubing outlet

### ► Accessories

For additional accessories, see the Accessories Section of the I-CON catalog or contact our Customer Service Team for details.

### ► Options

- Solenoid Power (choose one)
  - 24 Volts AC (High Flow)
  - 9 Volts DC (Battery Operated)

### Recommended Specification

**ELEMENT® Dual Temperature Electronic Manifold Lavatory Valve** is a sensor operated, dynamic sealing, lavatory valve with an engineered non-metallic polymer valve body for advanced corrosion resistance.

 **WARNING:** Cancer and Reproductive Harm - [www.P65Warnings.ca.gov](http://www.P65Warnings.ca.gov)

This space is for Architect/Engineer approval



The information contained in this document is subject to change without notice.