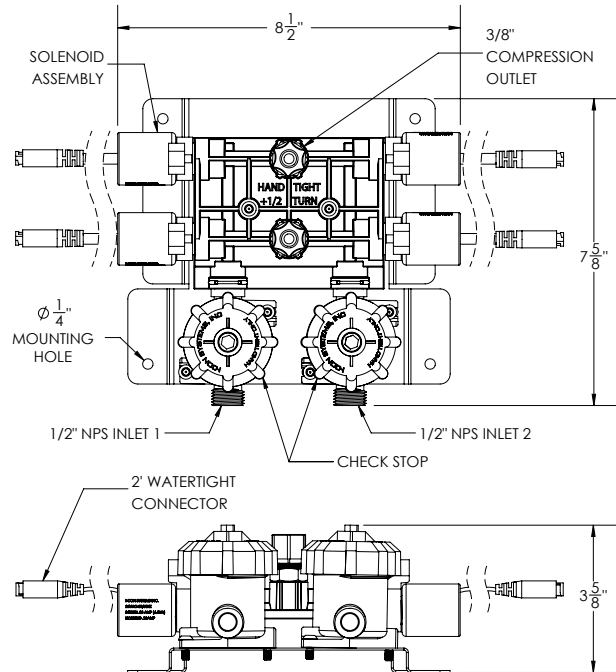
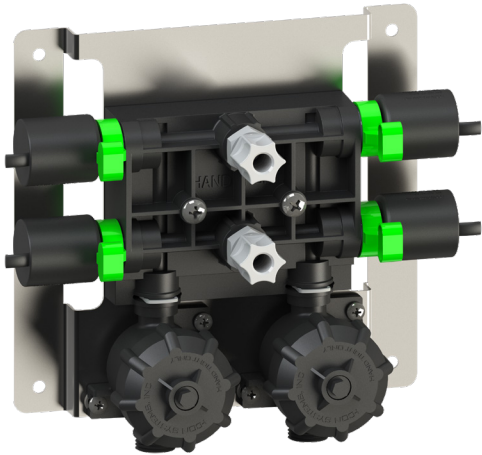


ELEMENT® Dual Temperature Electronic Manifold Shower Valve



Part No. 102825

► Description

Shower manifold valve for use with hot and cold water. Supplies two shower fixtures. Includes pressure compensating 2.0 GPM flow regulators as standard.

► Features

- Standard pressure compensating 2.0 GPM flow regulators
- Check stop with retaining clips for added support and reliability
- Expandable valve solution allowing for one (1) hot & cold water supply for two showers
- No metering diaphragms to fail and clog
- Engineered non-metallic polymer valve body for advanced corrosion resistance
- Ability to activate using manual bypass handle
- All solenoids are interchangeable with other I-CON valves reducing spare parts
- Positive valve shut-off after pressure loss eliminating continual running of valve
- Maximum water temperature of 120 °F & maximum pressure of 100 PSI
- 1/2" NPT supply connections and 3/8" OD tubing outlet
- 24 Volts AC (High Flow) Solenoids

► Accessories

For additional accessories, see the Accessories Section of the I-CON catalog or contact our Customer Service Team for details.



Recommended Specification

ELEMENT® Dual Temperature Electronic Manifold Shower Valve is a sensor operated, dynamic sealing, shower valve with an engineered non-metallic polymer valve body for advanced corrosion resistance.

 **WARNING:** Cancer and Reproductive Harm - www.P65Warnings.ca.gov

This space is for Architect/Engineer approval

The information contained in this document is subject to change without notice.