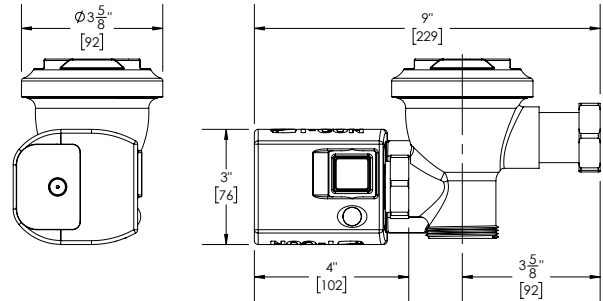


COBALT® Exposed Side Sensor Flush Valve



Part No. 103582 : 3000 : A

► Description

COBALT® Exposed Side Sensor Flush Valve for Water Closets and Urinals; Less Vacuum Breaker; Less Control Stop

► Features

- Patented ProLAST® T-Seal, featuring a single-piece design, glass-reinforced polymer substrate with TPE overmolded seals, and a stainless steel, integral bypass filter
- TPE overmolded seals are chlorine and chloramine resistant to prevent failure in the worst water conditions
- Dynamic sealing design provides accurate and consistent flush performance over time
- Sensor angled at user for proper detection
- Yellow LED flashes when low battery
- No external flush volume adjustment
- ADA compliant sensor activation and override buttons
- Adjustable tailpiece allows for variations in rough-in

► Accessories

For additional accessories, see the Accessories Section of the I-CON catalog or contact our Customer Service Team for details.



► Flush Volume (must select one)

Urinal Flush Volume

- 0.125 gpf / 0.5 Lpf
- 0.25 gpf / 1.0 Lpf
- 0.5 gpf / 1.9 Lpf
- 1.0 gpf / 3.8 Lpf

Water Closet Flush Volume

- 1.1 gpf / 4.2 Lpf
- 1.28 gpf / 4.8 Lpf
- 1.6 gpf / 6.0 Lpf
- 2.4 gpf / 9.0 Lpf
- 3.5 gpf / 13.2 Lpf

Recommended Specification

I-CON COBALT® 103582 Standard 3000 Flush Valve has a metal-cased, side-mounted, sensor actuator and is designed for water closets and urinals. It features dynamic sealing for accurate and extended flush performance. The exposed, cast brass valve body has a polished, chrome-plated finish. It utilizes the I-CON patented ProLAST® T-Seal, featuring a single-piece design, glass-reinforced polymer substrate with TPE overmolded seals, and a stainless steel, integral bypass filter. ADA compliant sensor activation and override buttons.

 **WARNING:** Cancer and Reproductive Harm - www.P65Warnings.ca.gov

This space is for Architect/Engineer approval

The information contained in this document is subject to change without notice.