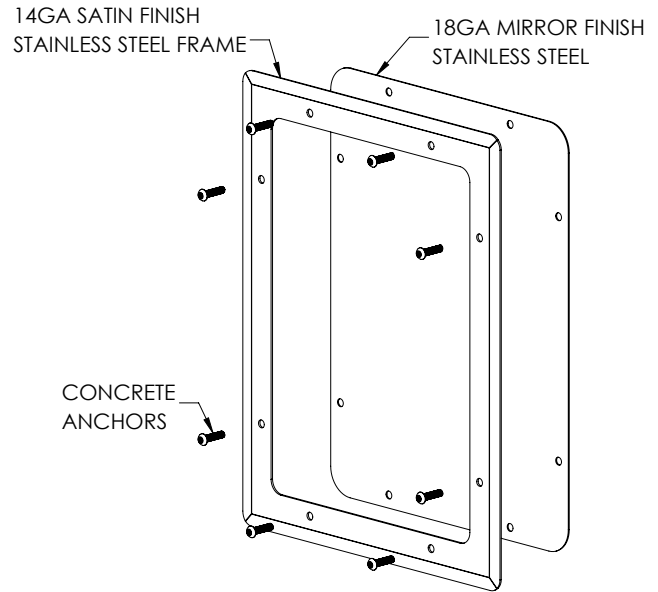


13.25" x 17.25" Mirror



Part No. 103764

► **Description**

High Security Stainless Steel Mirrors.

► **Features**

- 18GA Stainless Steel Mirror Finish Back Plate
- 14GA Stainless Steel Satin Finish Frame
- Concrete Anchors Included


► **Accessories**

See Accessories Section of the I-CON catalog or contact our Customer Service Team for details.



Recommended Specification

I-CON High Security Stainless Steel Mirror. Constructed of a 18GA Stainless Steel Mirror Finish back plate and a 14GA satin finish frame. Concrete anchors included.

 **WARNING:** Cancer and Reproductive Harm - www.P65Warnings.ca.gov

This space is for Architect/Engineer approval

The information contained in this document is subject to change without notice.