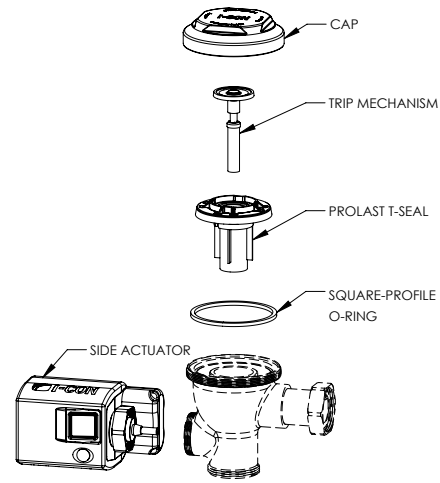


COBALT® Exposed Side Sensor Flush Valve Retrofit Kit with Internal Cap



Part No. 102876 : A

► **Description**

Electronic flush valve retrofit kit upgrades existing manual diaphragm flush valves to a side-mounted sensor actuator and ProLAST® T-Seal technology.

► **Features**

- Patented ProLAST® T-Seal, featuring a single-piece design, glass-reinforced polymer substrate with TPE overmolded seals, and a stainless steel, integral bypass filter
- TPE overmolded seals are chlorine and chloramine resistant to prevent failure in the worst water conditions
- Dynamic sealing design provides accurate and consistent flush performance over time
- Sensor angled at user for proper detection
- Yellow LED flashes when low battery
- No external flush volume adjustment
- ADA compliant sensor activation and override buttons
- Includes side-mounted sensor actuator, ProLAST® T-Seal, trip mechanism, square-profile O-ring, and a polished chrome-plated brass external cap

► **Retrofit Kit Type (must select one)**

- Sloan®
 Zurn®

► **Accessories**

For additional accessories, see the Accessories Section of the I-CON catalog or contact our Customer Service Team for details.



► **Flush Volume (must select one)**

Urinal Flush Volume

- 0.125 gpf / 0.5 Lpf
 0.25 gpf / 1.0 Lpf
 0.5 gpf / 1.9 Lpf
 1.0 gpf / 3.8 Lpf

Water Closet Flush Volume

- 1.1 gpf / 4.2 Lpf
 1.28 gpf / 4.8 Lpf
 1.6 gpf / 6.0 Lpf
 2.4 gpf / 9.0 Lpf
 3.5 gpf / 13.2 Lpf

Recommended Specification

I-CON 102876 COBALT® Exposed Side Sensor Flush Valve Retrofit Kit with Internal Cap utilizes a metal-cased, side-mounted sensor actuator and the I-CON patented ProLAST® T-Seal, featuring a single-piece design, glass-reinforced polymer substrate with TPE overmolded seals, and a stainless steel, integral bypass filter. It features dynamic sealing for accurate and extended flush performance. ADA compliant sensor activation and override buttons.

 **WARNING:** Cancer and Reproductive Harm - www.P65Warnings.ca.gov

This space is for Architect/Engineer approval

The information contained in this document is subject to change without notice.