

49" ADA Combination Fixture for 90° Interior Wall



Specification Guide

- 14-gauge type 304 stainless steel
- Seamlessly welded
- Satin finished surfaces
- Mirror finished, integral, elongated seat
- Oval lavatory basin with fast drain
- 4" high backsplash
- Air-circulating, self-draining soap dish
- 1-1/4" OD, stainless steel elbow lavatory waste with various waste options
- Blowout flushing action with self-draining, flushing rim
- Flush connection is 1-1/2" NPT female
- 2-3/8" OD, stainless steel toilet waste with various waste options
- ADA seat height of 18"
- Rear grab bar
- Sound dampening, fire-resistant cabinet
- 12 anchoring locations
- Furnished with necessary fasteners for proper mounting

Part No. 104579

Fixture may be featured with available options.

Note: Optional wall sleeve or metal template is recommended for all installations for required wall openings.

► Description

I-CON combination fixtures are seamlessly welded, 14-gauge type 304 stainless steel. Exposed surfaces have satin finishes except for the mirror-finished, integral, elongated seat. The fixture requires a wall opening and chase area for installation and maintenance. Combination fixtures include an oval basin, integral strainer, 4" high backsplash, and an air-circulating, self-draining soap dish. The toilet features a blowout flushing action with a self-draining flush rim. The fixture interior is coated with a sound-dampening, fire-resistant material. The fixture is intended to be installed against a 90-degree interior wall. The fixture meets ADA requirements when installed according to ADA guidelines. Exposed fasteners are tamper-resistant stainless steel.

► Performance

I-CON toilets meet or exceed ASME A112.19.3 and CSA B45.4 requirements. The toilets are designed to withstand a 5,000 lbs. load without permanent deflection and damage, and the trap allows for a 2-1/8" ball to pass. A 1" supply line with a minimum of 25 PSI flow pressure is required. When used with an I-CON MOMENTUM® flush valve, the fixture can flush as low as 1.0 gpf. The fixture can flush as low as 1.28gpf if used with other flush valves.

► Accessories & Options

See accessories and available options on page 2.

► Recommended I-CON Intelligent Control System

The system includes low voltage, water-resistant controllers; waterproof, stainless-steel actuators; direct-acting solenoid valves with no diaphragms; and an ASSE-certified flush valve proven more reliable and less expensive to maintain than traditional valves. When used with the I-CON MOMENTUM® flush valve, the unit can flush 1.0 gpf, exceeding all HET requirements. The I-CON System can be configured as a standalone or communicating system linked to our touchscreen PC technology. Both configurations offer the capability to stop flooding and abuse while managing toilet flushes per hour per fixture, which reduces water usage and sewer costs.



49" ADA Combination Fixture for 90° Interior Wall

Part No. 104579

- ▶ **Access Type (must select one)**
 - Rear
- ▶ **Fixture Location (must select one)**
 - Off Floor On Floor
- ▶ **Outlet Location (must select one)**
 - Floor Outlet Wall Outlet
- ▶ **Toilet Orientation (must select one)**
 - Offset Left Offset Right
- ▶ **Lavatory Actuator Cutouts (must select one)**
 - TruTOUCH® Single Temperature TruTOUCH® Dual Temperature
- ▶ **Toilet Actuator Cutout (must select one)**
 - TruTOUCH® Sensor
- ▶ **Toilet Waste (must select one)**
 - 3" Beyond Rear of Fixture
 - Custom _____ Inches Beyond Rear of Fixture
 - Gasket Waste Outlet

Note: 1" increments for custom waste (15" MAX)
- ▶ **Lavatory Waste (must select one)**
 - 1-1/2" NPT Male Fitting for Removable Waste
 - Elbow; 3" Beyond Rear of Fixture
 - Elbow; Custom _____ Inches Beyond Rear of Fixture
 - Elbow; 1-1/2" NPT Female to Rear of Fixture
 - P-Trap in Cabinet; 3" Beyond Rear of Fixture
 - P-Trap in Cabinet; Custom _____ Inches Beyond Rear of Fixture
 - P-Trap in Cabinet; 1-1/2" NPT Female to Rear of Fixture
 - Combined Waste

Note: 1" increments for custom waste (15" MAX)
- ▶ **Grab Bars (must select one)**
 - No Grab Bar - Does not meet ADA requirements
 - Rear Grab Bar
 - Rear Grab Bar w/ Closure Plate
- ▶ **Additional Options (optional)**
 - Towel Hook - Single Double
 - Toothbrush Holder - Single Double
 - Integral Tissue Holder* - Front Left Right
 - *Not an ADA-Compliant Tissue Dispenser*
 - Hinged White Plastic Seat without Cover
 - Integral Shelf
 - Ligature-Resistant Skirt
 - Vent Grill Left Right Bottom
 - 12 Gauge Cabinet
 - Flush Valve in Opposite Location of Standard
 - Lavatory Overflow
 - White Powder Coating


Note: If any modification is required please contact factory for availability.

Included with Fixture (must select one)

- ▶ **Wall Thickness (Standard Mounting Hardware)**
 - 0" to 4" (101594 : 6" : 6 Bolts) & (101594 : 6" : 4 Bolts)
 - 4" to 8" (101594 : 10" : 6 Bolts) & (101594 : 10" : 4 Bolts)
 - 8" to 12" (101594 : 14" : 6 Bolts) & (101594 : 14" : 4 Bolts)

Our Experts Recommend (sold separately)

- ▶ **Grab Bars**
 - Stainless Steel 42" Straight Grab Bar with Closure Plate (104075 : 42" : With Plate) - Refer to Local Code
 - Stainless Steel 42" Straight Grab Bar without Closure Plate (104075 : 42" : w/o Plate) - Refer to Local Code
 - Stainless Steel 24" Straight Grab Bar (104075 : 24" : w/o Plate) - Refer to Local Code
- ▶ **Lavatory Bubbler**
 - Penal Bubbler (100361 : w/o Mthgrd : Bub Only)
 - Penal Bubbler Kit (100361 : w/o Mthgrd : Bub Kit)
 - Penal Bubbler with Mouthguard Kit (100361 : w/ Mthgrd : Bub Kit)
 - Ligature Resistant Bubbler (100362 : Bub Only)
 - Ligature Resistant Bubbler Kit (100362 : Bub Kit)
- ▶ **Removable Lavatory Waste Options**
(Only available when 1-1/2" NPT Male Fitting for Removable Waste Option Selected)
 - P-Trap in Cabinet, Cast Brass w/ Plug, Removable (101592)
 - Thru-Wall Connection w/ P-Trap (101593)
 - Removable 90° Cast Brass Elbow (101907)
- ▶ **Toilet Waste Coupling**
 - 2-3/8" Stainless Steel to 3" Cast Iron/Plastic No-Hub (100443 : 3" : NH C Only)
 - 2-3/8" Stainless Steel to 3" Cast Iron/Plastic No-Hub with Cleanout T & Plug (100443 : 3" : NH CTP)
 - 2-3/8" Stainless Steel to 3" Cast Iron/Plastic No-Hub with Cleanout T & Pinned Plug (100443 : 3" : NH CTPP)
 - 2-3/8" Stainless Steel to 3" Cast Iron/Plastic No-Hub with Cleanout T & Hook Assembly (100443 : 3" : NH CTH)
 - 2-3/8" Stainless Steel to 4" Cast Iron/Plastic No-Hub (100443 : 4" : NH C Only)
 - 2-3/8" Stainless Steel to 4" Cast Iron/Plastic No-Hub with Cleanout T & Plug (100443 : 4" : NH CTP)
 - 2-3/8" Stainless Steel to 4" Cast Iron/Plastic No-Hub with Cleanout T & Pinned Plug (100443 : 4" : NH CTPP)
 - 2-3/8" Stainless Steel to 4" Cast Iron/Plastic No-Hub with Cleanout T & Hook Assembly (100443 : 4" : NH CTH)
- ▶ **Wall Sleeve & Wall Template**
 - Wall Sleeve (104681 Series)
See Wall Sleeve Submittal to Order
 - Wall Template (104682)
See Wall Template Submittal to Order

 **WARNING:** Cancer and Reproductive Harm - www.P65Warnings.ca.gov

Important: Installation instructions and rough-in are included with each fixture. Do not modify these drawings. Do not rough in with certified dimensions. Dimensions are subject to manufacturer's tolerance of plus or minus 1/4" and change without notice. I-CON assumes no responsibility for use of voided or superseded data.

© I-CON Systems

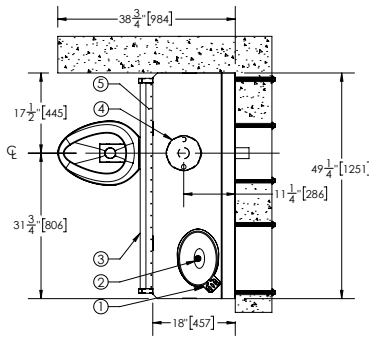
Approved for Manufacturing

Company _____ Quantity _____
Signature _____ Date _____

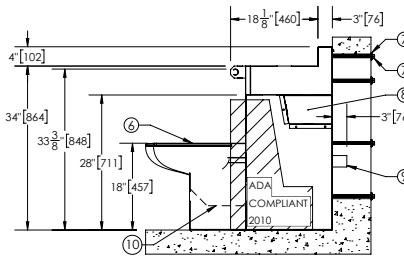
49" ADA Combination Fixture for 90° Interior Wall

Part No. 104579

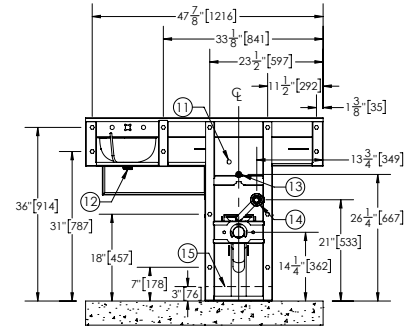
1. SOAP DISH
2. FAST DRAIN
3. REAR GRAB BAR
4. OPTIONAL GASKET WASTE FLOOR OUTLET
5. OPTIONAL CLOSURE PLATE WITH WEEP HOLES FOR GRAB BAR



6. MIRROR FINISH SEAT
7. WALL ANCHOR
8. REMOVABLE LAVATORY TRAP COVER
9. OPTIONAL 3" BEYOND REAR OF FIXTURE WASTE OUTLET
10. TOILET TRAP COVER FOR OFF FLOOR FIXTURE



11. FLUSH CONTROL
12. OPTIONAL 1-1/2" NPT MALE FOR REMOVABLE WASTE
13. LAVATORY WASTE OUTLET LOCATION FOR OPTIONAL ELBOW OR P-TRAP OPTIONS
14. OPTIONAL 1-1/2" NPT FEMALE FLUSH SUPPLY INLET
15. BOTTOM OF OFF FLOOR FIXTURE



*NOTE: TOILET OFFSET LEFT ORIENTATION IS AS SHOWN. TOILET OFFSET RIGHT ORIENTATION IS OPPOSITE (MIRRORED).