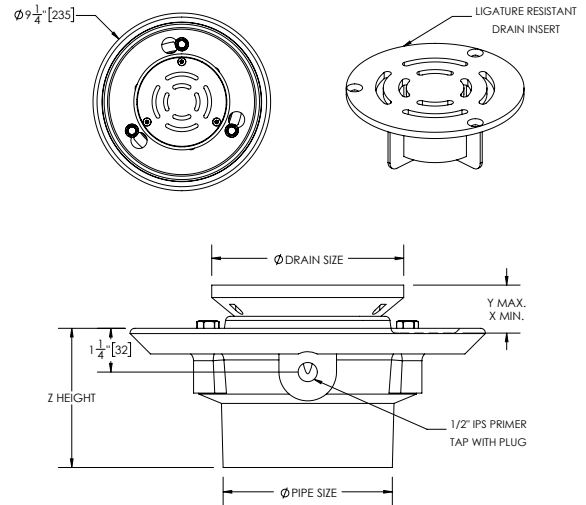


Ligature Resistant Adjustable Floor Drain



Part No. 104702

► Drain Size (must select one)

- 5" Ø
Y MAX = 2-1/8"
X MIN = 3/4"
- 6" Ø
Y MAX = 2-3/8"
X MIN = 1-1/4"

► Pipe Size (must select one)

- 2" Ø
 3" Ø
 4" Ø

► Connection Type (must select one)

- Inside Caulk Outlet
Z HEIGHT = 4"
- Hub Outlet with Gasket
Z HEIGHT = 3-3/4"
- No-Hub Outlet
Z HEIGHT = 3-3/8"

► Domestic Drain (optional - additional cost)

- Buy American Act Compliant

► Accessories

See Accessories Section of the I-CON catalog or contact our Customer Service Team for details.

► Features

- Two-Piece cast-iron body with double drainage flange
- 1/2" primer tap with plug
- WEJLOC® Invertible Flashing Collar
- Weepholes
- Various options for bottom outlet connection
- Nikaloy adjustable drain grate housing with ligature resistant stainless-steel grate insert
- Stainless-steel ligature resistant drain insert secured with tamper resistant fasteners
- 5" diameter drain insert has 2-1/2" in² of free space
- 6" diameter drain insert has 2-1/2" in² of free space

 **WARNING:** Cancer and Reproductive Harm - www.P65Warnings.ca.gov

This space is for Architect/Engineer approval

The information contained in this document is subject to change without notice.