

powered by
ProLAST[®]



Intelligent Water Conservation™



The ProLAST[®] Rebuild Kit for COBALT Pro[®] & Secure Sensor Flush Valves is designed for maximum performance and greater reliability than a diaphragm or piston kit.

101686

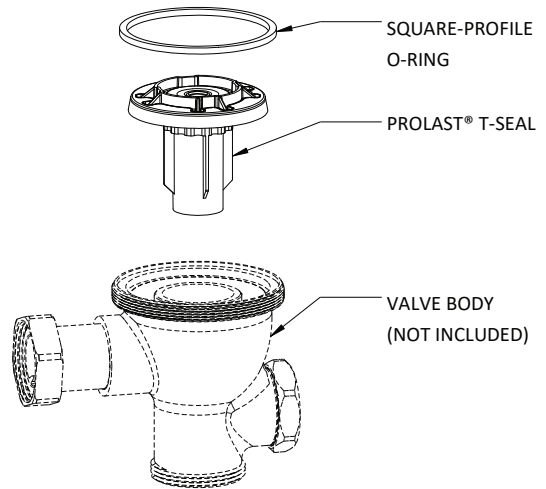
SIMPLE • POWERFUL • ACCURATE

ProLAST® Rebuild Kit for COBALT Pro® & Secure Sensor Flush Valves



101686

ProLAST® Rebuild Kit for
COBALT Pro® & Secure Sensor Flush Valves;
Urinals & Water Closets



Flush Volumes Available

| | | | | | |
|---|----------|---------|--------|--------|--------|
| Water Closets (101686 : Wtr Closet) | 1.1gpf | 1.28gpf | 1.6gpf | 2.4gpf | 3.5gpf |
| Urinals (101686 : Urinal) | 0.125gpf | 0.25gpf | 0.5gpf | 1.0gpf | — |



ProLAST® T-Seal Technology: Single piece unit, industry's largest bypass, seals at low PSI, tamper proof GPF, no natural rubber components, lasts up to 5x longer than industry standard.

powered by
ProLAST®