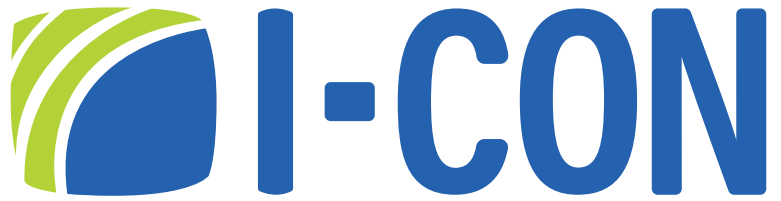


powered by  
**PROLAST®**



Intelligent Water Conservation™

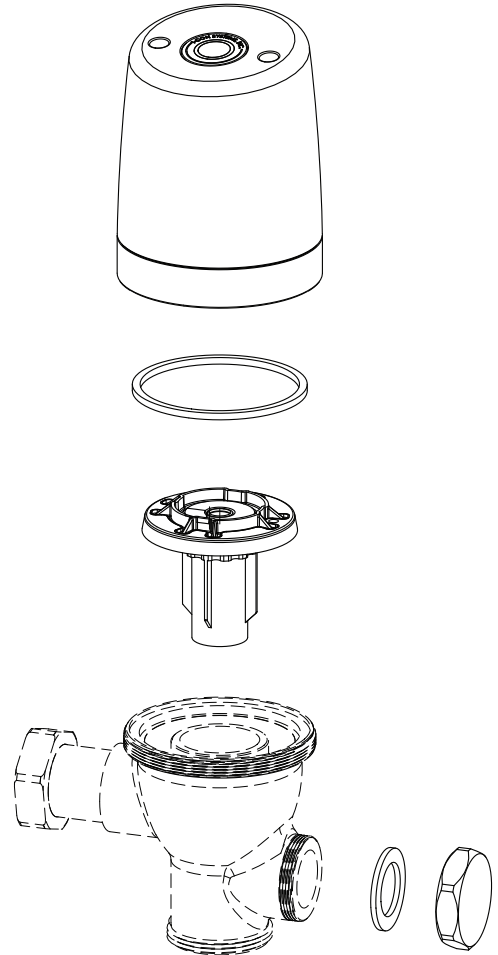


The COBALT® Secure Exposed Sensor Flush Valve Retrofit Kit is designed for maximum performance and greater reliability than a diaphragm or piston flush valve kit.

**101676**

# SIMPLE • POWERFUL • ACCURATE

## COBALT® Secure Exposed Sensor Flush Valve Retrofit Kit



**101676**

COBALT® Secure Exposed Sensor Flush Valve Retrofit Kit;  
Urinals & Water Closets

### Flush Volumes Available

<b>Water Closets</b>	1.1gpf	1.28gpf	1.6gpf	2.4gpf	3.5gpf
<b>Urinals</b>	0.125gpf	0.25gpf	0.5gpf	1.0gpf	—



**ProLAST® T-Seal Technology:** Single piece unit, industry's largest bypass, seals at low PSI, tamper proof GPF, no natural rubber components, lasts up to 5x longer than industry standard.

powered by  
**ProLAST®**